

For the content contained in this manual, Gandian Lightning Protection has the final right to interpret. For more detailed information, please inquire; our company's technical engineers will serve you wholeheartedly. Because of the continuous innovation of product technology, please refer to the actual product or the manual; Subject to change without notice.

Use environmentally friendly materials



GA&DA



Isolator Switch Solutions Catalogue

GANDIAN LIGHTNING PROTECTION ELECTRI CO.LTD.

Headquarters address: No. 329, Gangcheng Avenue, Economic and Technological
Development Zone, Jiujiang City, Jiangxi Province

Zhejiang production base address: Xiangyang Industrial Zone, Liushi Town, Yueqing
City, Wenzhou City, Zhejiang Province

Tel:0792-8883456

Fax:0792-8883456

Fax:0792-8883456

Web:www.gandian-International.com

www.gadaspd.com

www.cngdfl.com

Email:Kenneth@cngdfl.com

www.gandian-International.com

BEST
LIFE

BEST
ELECTRIC

GA&DA

Gandianfanglei

Better life, better electricity

不辜负每一份电力，让电尽其所能

GANDIAN LANGYONG

有品质才有市场，有改进才有进步，有创新才有发展

坚守专业与责任，做行业的领跑者

Stick to professionalism and responsibility
and be the leader of the industry



公司简介 COMPANY PROFILE

Gandian Lightning Protection Electric Co., Ltd. is a modern high-tech enterprise dedicated to the design, research and development, production, sales and service of lightning safety protection equipment. The company is located in the economic and technological development zone of Jiujiang City, the only international trade port city in Jiangxi Province. The total plant construction area is 39,960 square meters, the factory covers an area of 29,970.16 square meters, and there are more than 200 employees.

Through continuous reform and innovation, the company develops its own brand, showing a new look of internationalization, modernization and informationization. Break through high-end industries with focus, upgrade traditional industries with automation, actively build automated electrical equipment bases, gather a team of highly skilled experts, strengthen the simultaneous development of advanced equipment industry and modern service industry, have a variety of fully functional product performance testing laboratories, 8/20us 150kA compatible with 10/350us 25kA simulated lightning laboratory, 10/350us 120kA simulated lightning laboratory, 1.2/50us combined wave generator, 1.2/50us voltage generator, gap, discharge tube detector, thermal stability test system, lightning online monitoring system, intelligent lightning protection detection system, SPD backup protector power frequency current test, lightning non-trip current test system and a series of advanced detection equipment, to ensure the stability and innovation of our products!

Independently develop a number of advanced production and processing automatic assembly lines, which integrate automatic glue filling, automatic soldering, automatic laminating, pad printing, laser marking, automatic detection and uploading of data, automatic sealing and packaging and other automatic equipment to ensure each product consistency, fully guarantee efficient production and high-quality management, with unified planning of logistics, production, life and other service facilities, and strive to build a first-class intelligent production industrial base with international competitiveness.

The company took the lead in passing ISO9001 quality system certification, ISO14001 environmental management system certification, OHSAS18001 occupational health and safety management system, CQC certification, European Community CE certification, TUV Rheinland certification, CB certification, Rohs certification, and established a system from software and hardware. A strict quality management system can meet the various needs of new and old customers with the fastest speed, the best products, and the best services; sales points are set up throughout the country, and the sales scope radiates to all provinces in China, Southeast Asia, South America, and Europe, Africa and many other places, the service scope is all over the country, and the high-quality products and good service have won the favor of the majority of customers.

The main products are power surge protector series, smart lightning protection series, smart surge protector series, smart lightning protection box series, signal lightning protection series, fuses, circuit breakers, photovoltaic connectors, transfer switches, photovoltaic cables, etc. The products are mainly used in the construction of urban and rural power grids, urban infrastructure construction, factory construction stages, major domestic and foreign oil fields, petrochemical companies, shipbuilding industry, offshore oil drilling platforms, military power construction, photovoltaic power generation, wind power generation, coal, petroleum, chemical, industrial and mining, hospitals, airports and other fields.

The company adheres to the corporate culture of "integrity first, happiness in the world, sharing and win-win", adheres to the spirit of "pragmatism, hard work, and dedication", and has the dream of "revitalizing national industry and assuming social morality". With the principle of trust, persist in realizing the new situation of "sustainable development, cooperative innovation", with the attitude of "professional, dedicated, rigorous, and eager to learn", always practice the glorious mission of "based on Rael Dunwei and build a world brand together".

Staff living area

The staff living area has 4360 square meters, 42 single rooms, 28 suites, supporting internal canteen, fitness area, outdoor activity area

Stamping and injection molding area

The stamping and injection molding area has 6800 square meters, 30 injection molding machines, 7 45T stamping machines, 5 35T stamping machines, 8 25 stamping machines, and the remaining 18 stamping machines of each tonnage

Comprehensive production area

The comprehensive production area has 8,100 square meters, dozens of production lines for various products, a simulation laboratory for lightning strikes, and various lightning protection products test instruments, etc.



实验设备 Laboratory And Testing



证书 Certificate And International Patents



ISO14001



ISO9001



OHSAS18001



CB



CQC



型式试验



TUV-CE



TUV



试验报告

GDPVXX/L1 DC Isolator Switch

● GDL1 Series DC Isolator Switch is applied to 1~20 KW residential or commercial photovoltaic system, placed between photovoltage modules and inverters. Arcing time is less than 8ms, Maxvoltage is up to 1200V DC.

GDPVXX/L1 DC Isolator Switch

● GDL1 Series DC Isolator Switch is applied to 1~20 KW residential or commercial photovoltaic system, placed between photovoltage modules and inverters. Arcing time is less than 8ms, Maxvoltage is up to 1200V DC.



- IP20 Protection Level
- Din rail mounted
- The handle can be locked in the "OFF" position
- 2 Pole, 4 Poles are viable (Single/ Double String)
- Standard: IEC60947-3, AS60947.3
- DC-PV2, DC-PV1, DC-21B
- 16A, 25A, 32A, 1200V DC



The main technical parameters

Electrical Characteristics	
Type	GDPV16-L1, GDPV25-L1, GDPV32-L1
Function	Isolator, Control
Standard	IEC60947-3, AS60947.3
Utilization category	DC-PV2/DC-PV1/DC-21B
Pole	4P
Rated frequency	DC
Rated operational voltage(Ue)	300V, 600V, 800V, 1000V, 1200V
Rated operational voltage(Le)	See the next page 1200V
Rated insulation voltage (Ui)	1200V
Conventional free air thermal current(Ith)	//
Conventional enclosed thermal current(Ithe)	Same as Ie
Rated short-time withstand current(Icw)	1kA, 1s
Rated impulsive withstand voltage(Uimp)	8.0kV
Overtoltage category	II
Suitability for isolation	Yes
Polarity	No polarity, "+" and "-" polarities could be interchanged.
Service life/cycle operation	
Mechanical	18000
Electrical	2000
Installation Environment	
Ingress protection	Switch Body IP20
Storage temperature	-40°C~+85°C
Mounting Type	Vertically or horizontally
Pollution degree	3

Rated Voltage/Rated Current

Wiring	Type	300V Order Code	600V Order Code	800V Order Code	1000V Order Code	1200V Order Code
2P/4P	GDPV16-L1 Series	16A	16A	12A	8A	6A
	GDPV25-L1 Series	25A	25A	15A	9A	7A
	GDPV32-L1 Series	32A	27A	17A	10A	8A
4T/4B/4S	GDPV16-L1 Series	16A	16A	16A	16A	16A
	GDPV25-L1 Series	25A	25A	25A	25A	25A
	GDPV32-L1 Series	32A	32A	32A	32A	32A
2H	GDPV16-L1 Series	35A	35A	/	/	/
	GDPV25-L1 Series	40A	40A	/	/	/
	GDPV32-L1 Series	45A	40A	/	/	/

Order Code

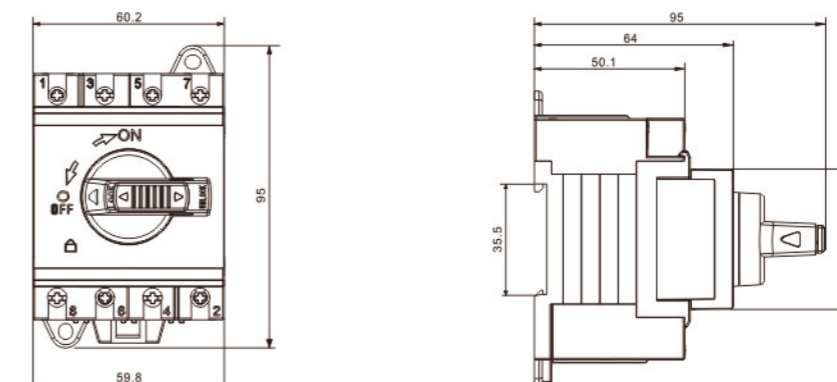
Type	GDPV16-L1 Series	GDPV25-L1 Series	GDPV32-L1 Series
Order Code	270001	270002	270003

Switching Configurations

Type	2-Pole	4-Pole	2-Pole 4 Poles in series Input and Output bottom	2-Pole 4 Poles in series Input and Output on top	2-Pole 4 Poles in series Input and Output bottom	2-Pole 4 Paralleled Poles
/	2P	4P	4T	4B	4S	2H
Contacts Wiring graph						
Switching example						

Size

Dimensions (mm)



GDPVXX/L2 DC Isolator Switch

● GDL2 Series DC Isolator Switch is applied to 1~20 KW residential or commercial photovoltaic system, placed between photovoltage modules and inverters. Arcing time is less than 8ms, Maxvoltage is up to 1200V DC.



- IP20 Protection Level
- Din rail mounted
- The handle can be locked in the "OFF" position
- 2 Pole, 4 Poles are viable (Single/ Double String)
- Standard: IEC60947-3, AS60947.3
- DC-PV2, DC-PV1, DC-21B
- 16A, 25A, 32A, 1200V DC

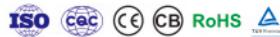


The main technical parameters

Electrical Characteristics	
Type	GDPV16-L2, GDPV25-L2, GDPV32-L2
Function	Isolator, Control
Standard	IEC60947-3, AS60947.3
Utilization category	DC-PV2/DC-PV1/DC-21B
Pole	4P
Rated frequency	DC
Rated operational voltage(Ue)	300V, 600V, 800V, 1000V, 1200V
Rated operational voltage(Ie)	See the next page
Rated insulation voltage (Ui)	1200V
Conventional free air thermal current(Ith)	//
Conventional enclosed thermal current(Ithe)	Same as Ie
Rated short-time withstand current(Icw)	1kA, 1s
Rated impuled withstand voltage(Uimp)	8.0kV
Overvoltage category	II
Suitability for isolation	Yes
Polarity	No polarity, "+" and "-" polarities could be interchanged.
Service life/cycle operation	
Mechanical	18000
Electrical	2000
Installation Environment	
Ingress protection	Switch Body IP20
Storage temperature	-40℃~+85℃
Mounting Type	Vertically or horizontally
Pollution degree	3

GDPVXX/L2 DC Isolator Switch

● GDL2 Series DC Isolator Switch is applied to 1~20 KW residential or commercial photovoltaic system, placed between photovoltage modules and inverters. Arcing time is less than 8ms, Maxvoltage is up to 1200V DC.



Rated Volatage/Rated Current

Wiring	Type	300V Order Code	600V Order Code	800V Order Code	1000V Order Code	1200V Order Code
2P/4P	GDPV16-L2 Series	16A	16A	12A	8A	6A
	GDPV25-L2 Series	25A	25A	15A	9A	7A
	GDPV32-L2 Series	32A	27A	17A	10A	8A
4T/4B/4S	GDPV16-L2 Series	16A	16A	16A	16A	16A
	GDPV25-L2 Series	25A	25A	25A	25A	25A
	GDPV32-L2 Series	32A	32A	32A	32A	32A
2H	GDPV16-L2 Series	35A	35A	/	/	/
	GDPV25-L2 Series	40A	40A	/	/	/
	GDPV32-L2 Series	45A	40A	/	/	/

Order Code

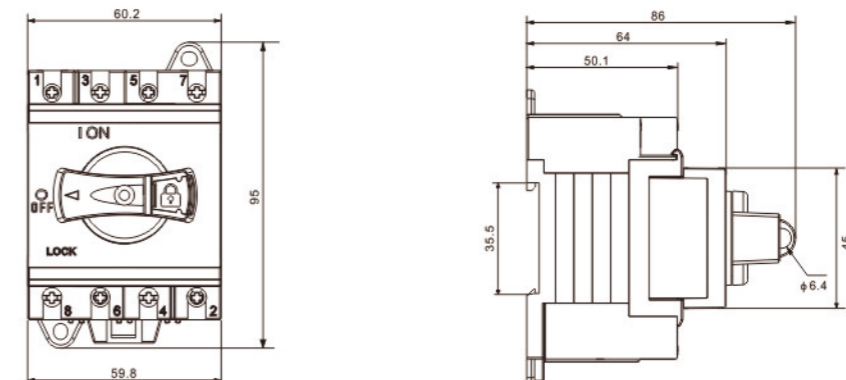
Type	GDPV16-L2 Series	GDPV25-L2 Series	GDPV32-L2 Series
Order Code	270004	270005	270006

Switching Configurations

Type	2-Pole	4-Pole	2-Pole 4 Poles in series Input and Output bottom	2-Pole 4 Poles in series Input and Output on top	2-Pole 4 Poles in series Input and Output bottom	2-Pole 4 Paralleled Poles
/	2P	4P	4T	4B	4S	2H
Contacts Wiring graph	5 7 6 8	1 3 5 7 2 4 6 8	1 3 5 7 2 4 6 8	1 3 5 7 2 4 6 8	1 3 5 7 2 4 6 8	1 3 5 7 2 4 6 8
Switching example						

Size

Dimensions (mm)

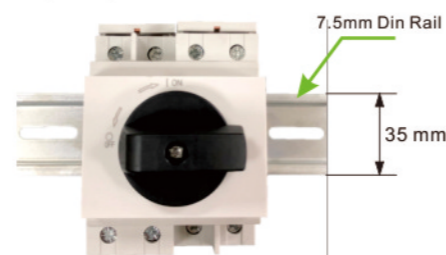


GDPVXX/NL1 DC Isolator Switch

● GDNL1 Series DC Isolator Switch is applied to 1~20 KW residential or commercial photovoltaic system, placed between photovoltage modules and inverters. Arcing time is less than 8ms, Maxvoltage is up to 1200V DC.



- IP20 Protection Level
- Din rail mounted
- The handle can be locked in the "OFF" position
- 2 Pole, 4 Poles are viable (Single Double String)
- Standard: IEC60947-3, AS60947.3
- DC-PV2, DC-PV1, DC-21B
- 16A, 25A, 32A, 1200V DC



The main technical parameters

Electrical Characteristics	
Type	GDPV16-NL1, GDPV25-NL1, GDPV32-NL1
Function	Isolator, Control
Standard	IEC60947-3, AS60947.3
Utilization category	DC-PV2/DC-PV1/DC-21B
Pole	4P
Rated frequency	DC
Rated operational voltage(Ue)	300V, 600V, 800V, 1000V, 1200V
Rated operational voltage(Ie)	See the next page
Rated insulation voltage (Ui)	1200V
Conventional free air thermal current(Ith)	//
Conventional enclosed thermal current(Ithe)	Same as Ie
Rated short-time withstand current(Icw)	1kA, 1s
Rated impulsive withstand voltage(Uimp)	8.0kV
Overvoltage category	II
Suitability for isolation	Yes
Polarity	No polarity, "+" and "-" polarities could be interchanged.
Service life/cycle operation	
Mechanical	18000
Electrical	2000
Installation Environment	
Ingress protection	Switch Body IP20
Storage temperature	-40°C~+85°C
Mounting Type	Vertically or horizontally
Pollution degree	3

GDPVXX/NL1 DC Isolator Switch

● GDNL1 Series DC Isolator Switch is applied to 1~20 KW residential or commercial photovoltaic system, placed between photovoltage modules and inverters. Arcing time is less than 8ms, Maxvoltage is up to 1200V DC.



Rated Volatage/Rated Current

Wiring	Type	300V Order Code	600V Order Code	800V Order Code	1000V Order Code	1200V Order Code
2P/4P	GDPV16-NL1 Series	16A	16A	12A	8A	6A
	GDPV25-NL1 Series	25A	25A	15A	9A	7A
	GDPV32-NL1 Series	32A	27A	17A	10A	8A
4T/4B/4S	GDPV16-NL1 Series	16A	16A	16A	16A	16A
	GDPV25-NL1 Series	25A	25A	25A	25A	25A
	GDPV32-NL1 Series	32A	32A	32A	32A	32A
2H	GDPV16-NL1 Series	35A	35A	/	/	/
	GDPV25-NL1 Series	40A	40A	/	/	/
	GDPV32-NL1 Series	45A	40A	/	/	/

Order Code

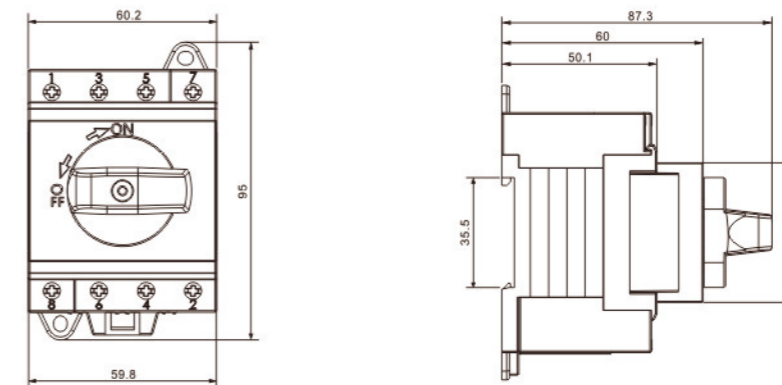
Type	GDPV16-NL1 Series	GDPV25-NL1 Series	GDPV32-NL1 Series
Order Code	270007	270008	270009

Switching Configurations

Type	2-Pole	4-Pole	2-Pole 4 Poles in series Input and Output bottom	2-Pole 4 Poles in series Input and Output on top	2-Pole 4 Poles in series Input and Output bottom	2-Pole 4 Paralleled Poles
/	2P	4P	4T	4B	4S	2H
Contacts Wiring graph	5 7 6 8	1 3 5 7 2 4 6 8	1 3 5 7 2 4 6 8	1 3 5 7 2 4 6 8	1 3 5 7 2 4 6 8	1 3 5 7 2 4 6 8
Switching example						

Size

Dimensions (mm)



GDPVXX/NL1/T DC Isolator Switch

● GDNL1 Series DC Isolator Switch is applied to 1~20 KW residential or commercial photovoltaic system, placed between photovoltage modules and inverters. Arcing time is less than 8ms, Maxvoltage is up to 1200V DC.



- IP20 Protection Level
- Din rail mounted
- The handle can be locked in the "OFF" position
- 2 Pole, 4 Poles are viable (Single Double String)
- Standard: IEC60947-3, AS60947.3
- DC-PV2, DC-PV1, DC-21B
- 16A, 25A, 32A, 1200V DC

The main technical parameters

Electrical Characteristics	
Type	GDPV16-NL1/T, GDPV25-NL1/T, GDPV32-NL1/T
Function	Isolator, Control
Standard	IEC60947-3, AS60947.3
Utilization category	DC-PV2/DC-PV1/DC-21B
Pole	4P
Rated frequency	DC
Rated operational voltage(Ue)	300V, 600V, 800V, 1000V, 1200V
Rated operational voltage(Le)	See the next page
Rated insulation voltage (Ui)	1200V
Conventional free air thermal current(Ith)	//
Conventional enclosed thermal current(Ithe)	Same as Ie
Rated short-time withstand current(Icw)	1kA, 1s
Rated impused withstand voltage(Uimp)	8.0kV
Overvoltage category	II
Suitability for isolation	Yes
Polarity	No polarity, "+" and "-" polarities could be interchanged.
Service life/cycle operation	
Mechanical	18000
Electrical	2000
Installation Environment	
Ingress protection	Switch Body IP20
Storage temperature	-40°C~+85°C
Mounting Type	Vertically or horizontally
Pollution degree	3

GDPVXX/NL1/T DC Isolator Switch

● GDNL1 Series DC Isolator Switch is applied to 1~20 KW residential or commercial photovoltaic system, placed between photovoltage modules and inverters. Arcing time is less than 8ms, Maxvoltage is up to 1200V DC.



Rated Voltage/Rated Current

Wiring	Type	300V Order Code	600V Order Code	800V Order Code	1000V Order Code	1200V Order Code
2P/4P	GDPV16-NL1/T Series	16A	16A	12A	8A	6A
	GDPV25-NL1/T Series	25A	25A	15A	9A	7A
	GDPV32-NL1/T Series	32A	27A	17A	10A	8A
4T/4B/4S	GDPV16-NL1/T Series	16A	16A	16A	16A	16A
	GDPV25-NL1/T Series	25A	25A	25A	25A	25A
	GDPV32-NL1/T Series	32A	32A	32A	32A	32A
2H	GDPV16-NL1/T Series	35A	35A	/	/	/
	GDPV25-NL1/T Series	40A	40A	/	/	/
	GDPV32-NL1/T Series	45A	40A	/	/	/

Order Code

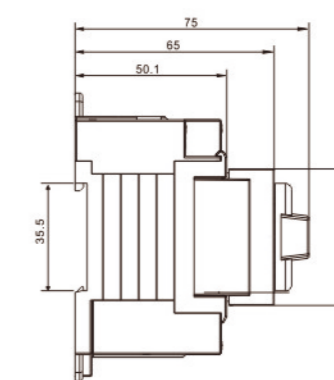
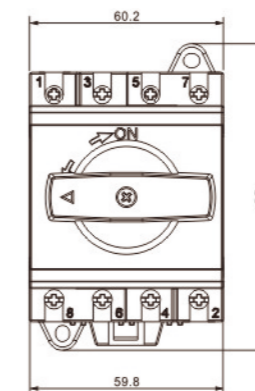
Type	GDPV16-NL1/T Series	GDPV25-NL1/T Series	GDPV32-NL1/T Series
Order Code	270010	270011	270012

Switching Configurations

Type	2-Pole	4-Pole	2-Pole 4 Poles in series Input and Output bottom	2-Pole 4 Poles in series Input and Output on top	2-Pole 4 Poles in series Input and Output bottom	2-Pole 4 Paralleled Poles
/	2P	4P	4T	4B	4S	2H
Contacts Wiring graph	5 7 1 1 6 8	1 3 5 7 1 1 1 1 2 4 6 8	1 3 5 7 1 1 1 1 2 4 6 8	1 3 5 7 1 1 1 1 2 4 6 8	1 3 5 7 1 1 1 1 2 4 6 8	1 3 5 7 1 1 1 1 2 4 6 8
Switching example						

Size

Dimensions (mm)

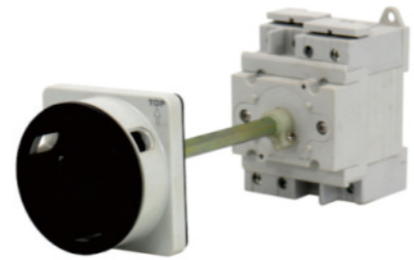


GDPVXX/PM2 DC Isolator Switch

● GDPM2 Series DC Isolator Switch is applied to 1~20 KW residential or commercial photovoltaic system, placed between photovoltage modules and inverters. Arcing time is less than 8ms, Maxvoltage is up to 1200V DC.



- IP65 Protection Level
- Base mounted in the din rail, and handle mounted outside the door through the shaft
- The handle can be locked in the "OFF" position
- 2 Pole, 4 Poles are viable (Single/ Double String)
- Standard: IEC60947-3, AS60947.3
- DC-PV2, DC-PV1, DC-21B
- 16A, 25A, 32A, 1200V DC



The main technical parameters

Electrical Characteristics	
Type	GDPV16-PM2, GDPV25-PM2, GDPV32-PM2
Function	Isolator, Control
Standard	IEC60947-3, AS60947.3
Utilization category	DC-PV2/DC-PV1/DC-21B
Pole	4P
Rated frequency	DC
Rated operational voltage(Ue)	300V, 600V, 800V, 1000V, 1200V
Rated operational voltage(Ie)	See the next page
Rated insulation voltage (Ui)	1200V
Conventional free air thermal current(Ith)	//
Conventional enclosed thermal current(Ithe)	Same as Ie
Rated short-time withstand current(Icw)	1kA, 1s
Rated impused withstand voltage(Uimp)	8.0kV
Overvoltage category	II
Suitability for isolation	Yes
Polarity	No polarity, "+" and "-" polarities could be interchanged.
Service life/cycle operation	
Mechanical	18000
Electrical	2000
Installation Environment	
Ingress protection	Switch Body IP65
Storage temperature	-40°C~+85°C
Mounting Type	Vertically or horizontally
Pollution degree	3

GDPVXX/PM2 DC Isolator Switch

● GDPM2 Series DC Isolator Switch is applied to 1~20 KW residential or commercial photovoltaic system, placed between photovoltage modules and inverters. Arcing time is less than 8ms, Maxvoltage is up to 1200V DC.



Rated Volatage/Rated Current

Wiring	Type	300V Order Code	600V Order Code	800V Order Code	1000V Order Code	1200V Order Code
2P/4P	GDPV16-PM2 Series	16A	16A	12A	8A	6A
	GDPV25-PM2 Series	25A	25A	15A	9A	7A
	GDPV32-PM2 Series	32A	27A	17A	10A	8A
4T/4B/4S	GDPV16-PM2 Series	16A	16A	16A	16A	16A
	GDPV25-PM2 Series	25A	25A	25A	25A	25A
	GDPV32-PM2 Series	32A	32A	32A	32A	32A
2H	GDPV16-PM2 Series	35A	35A	/	/	/
	GDPV25-PM2 Series	40A	40A	/	/	/
	GDPV32-PM2 Series	45A	40A	/	/	/

Order Code

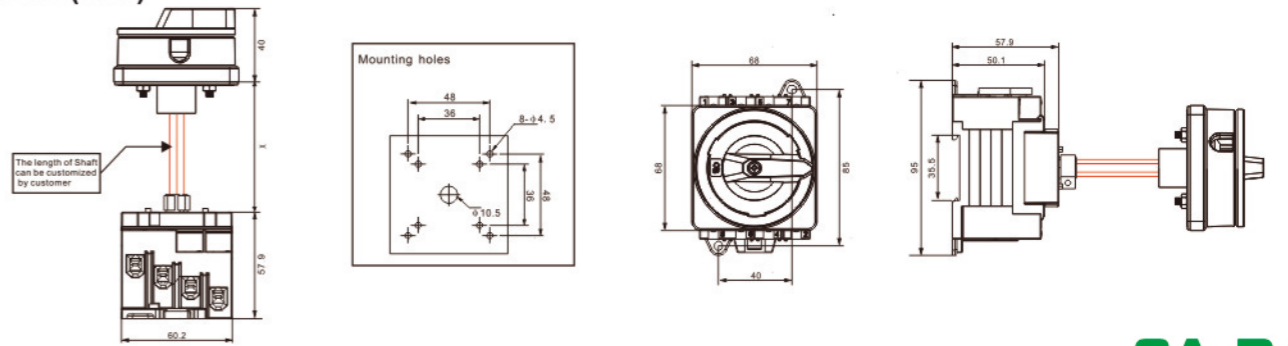
Type	GDPV16-PM2 Series	GDPV25-PM2 Series	GDPV32-PM2 Series
Order Code	270013	270014	270015

Switching Configurations

Type	2-Pole	4-Pole	2-Pole 4 Poles in series Input and Output bottom	2-Pole 4 Poles in series Input and Output on top	2-Pole 4 Poles in series Input and Output bottom	2-Pole 4 Paralleled Poles
/	2P	4P	4T	4B	4S	2H
Contacts Wiring graph	5 7 6 8	1 3 5 7 2 4 6 8	1 3 5 7 2 4 6 8	1 3 5 7 2 4 6 8	1 3 5 7 2 4 6 8	1 3 5 7 2 4 6 8
Switching example						

Size

Dimensions (mm)

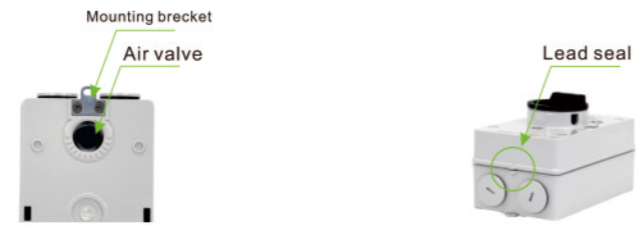


GDPVXX/ELR1 DC Isolator Switch

● GDELR1 Series DC Isolator Switch is applied to 1~20 KW residential or commercial photovoltaic system, placed between photovoltage modules and inverters. Arcing time is less than 8ms, Maxvoltage is up to 1200V DC.



- IP66 rated enclosure, UV Resistant
- 2×mounting tabs, 4×M25 threaded holes
- The handle can be locked in the "OFF" position
- Mc4 plugs with adaptor or cable gland can be selected for convenient connection and space saving
- IP66 Air valve helps air flowing and reducing temperature 2 Pole, 4 Poles are viable (Single | Double String)
- Standard: IEC60947-3, AS60947.3
- DC-PV2, DC-PV1, DC-21B, 16A, 25A, 32A, 1200V DC



The main technical parameters

Electrical Characteristics	
Type	GDPV16-ELR1, GDPV25-ELR1, GDPV32-ELR1
Function	Isolator, Control
Standard	IEC60947-3, AS60947.3
Utilization category	DC-PV2/DC-PV1/DC-21B
Pole	4P
Rated frequency	DC
Rated operational voltage(Ue)	300V, 600V, 800V, 1000V, 1200V
Rated operational voltage(Ie)	See the next page
Rated insulation voltage (Ui)	1200V
Conventional free air thermal current(Ith)	//
Conventional enclosed thermal current(Ithe)	Same as Ie
Rated short-time withstand current(Icw)	1kA, 1s
Rated impulsive withstand voltage(Uimp)	8.0kV
Overtoltage category	II
Suitability for isolation	Yes
Polarity	No polarity, "+" and "-" polarities could be interchanged.
Service life/cycle operation	
Mechanical	18000
Electrical	2000
Installation Environment	
Ingress protection	Switch Body IP66
Storage temperature	-40℃~+85℃
Mounting Type	Vertically or horizontally
Pollution degree	3

GDPVXX/ELR1 DC Isolator Switch

● GDELR1 Series DC Isolator Switch is applied to 1~20 KW residential or commercial photovoltaic system, placed between photovoltage modules and inverters. Arcing time is less than 8ms, Maxvoltage is up to 1200V DC.



Rated Volatage/Rated Current

Wiring	Type	300V Order Code	600V Order Code	800V Order Code	1000V Order Code	1200V Order Code
2P/4P	GDPV16-ELR1 Series	16A	16A	12A	8A	6A
	GDPV25-ELR1 Series	25A	25A	15A	9A	7A
	GDPV32-ELR1 Series	32A	27A	17A	10A	8A
4T/4B/4S	GDPV16-ELR1 Series	16A	16A	16A	16A	16A
	GDPV25-ELR1 Series	25A	25A	25A	25A	25A
	GDPV32-ELR1 Series	32A	32A	32A	32A	32A
2H	GDPV16-ELR1 Series	35A	35A	/	/	/
	GDPV25-ELR1 Series	40A	40A	/	/	/
	GDPV32-ELR1 Series	45A	40A	/	/	/

Order Code

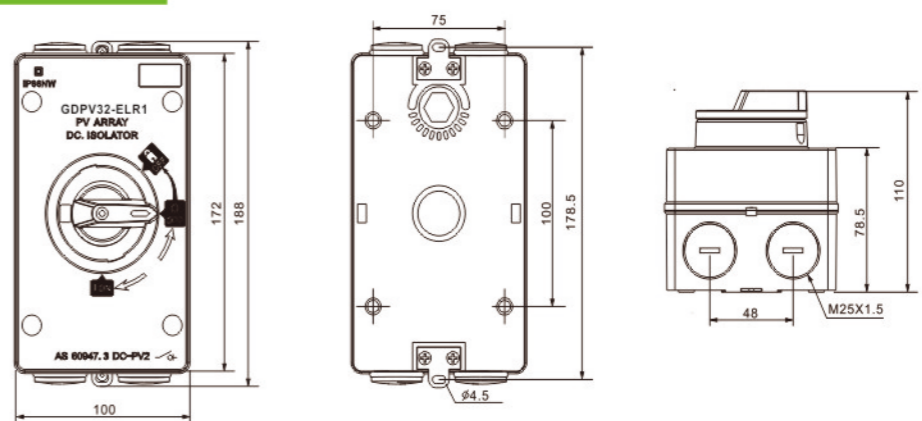
Type	GDPV16-ELR1 Series	GDPV25-ELR1 Series	GDPV32-ELR1 Series
Order Code	270016	270017	270018

Switching Configurations

Type	2-Pole	4-Pole	2-Pole 4 Poles in series Input and Output bottom	2-Pole 4 Poles in series Input and Output on top	2-Pole 4 Poles in series Input and Output bottom	2-Pole 4 Paralleled Poles
/	2P	4P	4T	4B	4S	2H
Contacts Wiring graph						
Switching example						

Size

Dimensions (mm)

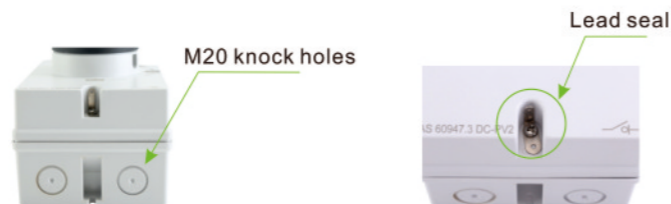


GDPVXX/ELR2 DC Isolator Switch

● GDELR2 Series DC Isolator Switch is applied to 1~20 KW residential or commercial photovoltaic system, placed between photovoltage modules and inverters. Arcing time is less than 8ms, Maxvoltage is up to 1200V DC.



- IP66 rated enclosure, UV Resistant
- 2×mounting tabs, 4×M25 threaded holes
- The handle can be locked in the "OFF" position
- Mc4 plugs with adaptor or cable gland can be selected for convenient connection and space saving
- IP66 Air valve helps air flowing and reducing temperature 2 Pole, 4 Poles are viable (Single | Double String)
- Standard: IEC60947-3, AS60947.3
- DC-PV2, DC-PV1, DC-21B, 16A, 25A, 32A, 1200V DC



The main technical parameters

Electrical Characteristics	
Type	GDPV16-ELR2, GDPV25-ELR2, GDPV32-ELR2
Function	Isolator, Control
Standard	IEC60947-3, AS60947.3
Utilization category	DC-PV2/DC-PV1/DC-21B
Pole	4P
Rated frequency	DC
Rated operational voltage(Ue)	300V, 600V, 800V, 1000V, 1200V
Rated operational voltage(Ie)	See the next page
Rated insulation voltage (Ui)	1200V
Conventional free air thermal current(Ith)	//
Conventional enclosed thermal current(Ithe)	Same as Ie
Rated short-time withstand current(Icw)	1kA, 1s
Rated impuled withstand voltage(Uimp)	8.0kV
Overvoltage category	II
Suitability for isolation	Yes
Polarity	No polarity, "+" and "-" polarities could be interchanged.
Service life/cycle operation	
Mechanical	18000
Electrical	2000
Installation Environment	
Ingress protection	Switch Body IP66
Storage temperature	-40°C~+85°C
Mounting Type	Vertically or horizontally
Pollution degree	3

GDPVXX/ELR2 DC Isolator Switch

● GDELR1 Series DC Isolator Switch is applied to 1~20 KW residential or commercial photovoltaic system, placed between photovoltage modules and inverters. Arcing time is less than 8ms, Maxvoltage is up to 1200V DC.



Rated Volatage/Rated Current

Wiring	Type	300V Order Code	600V Order Code	800V Order Code	1000V Order Code	1200V Order Code
2P/4P	GDPV16-ELR2 Series	16A	16A	12A	8A	6A
	GDPV25-ELR2 Series	25A	25A	15A	9A	7A
	GDPV32-ELR2 Series	32A	27A	17A	10A	8A
4T/4B/4S	GDPV16-ELR2 Series	16A	16A	16A	16A	16A
	GDPV25-ELR2 Series	25A	25A	25A	25A	25A
	GDPV32-ELR2 Series	32A	32A	32A	32A	32A
2H	GDPV16-ELR2 Series	35A	35A	/	/	/
	GDPV25-ELR2 Series	40A	40A	/	/	/
	GDPV32-ELR2 Series	45A	40A	/	/	/

Order Code

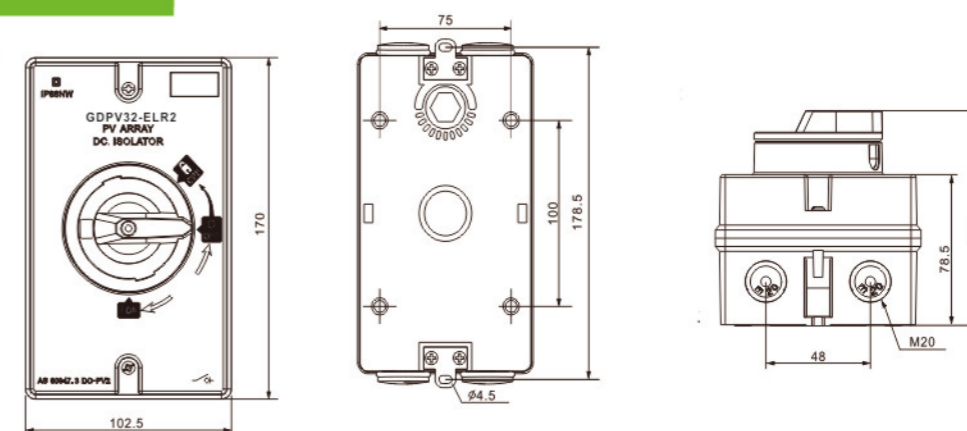
Type	GDPV16-ELR2 Series	GDPV25-ELR2 Series	GDPV32-ELR2 Series
Order Code	270019	270020	270021

Switching Configurations

Type	2-Pole	4-Pole	2-Pole 4 Poles in series Input and Output bottom	2-Pole 4 Poles in series Input and Output on top	2-Pole 4 Poles in series Input and Output bottom	2-Pole 4 Paralleled Poles
/	2P	4P	4T	4B	4S	2H
Contacts Wiring graph						
Switching example						

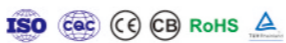
Size

Dimensions (mm)



GDUKF AC Isolator Switch

● GDUKF series outdoor AC isolating switches are mainly used in outdoor scenes, such as docks, lighthouses, construction sites, etc., with good waterproof ability, waterproof level up to IP65, waterproof and dustproof, complete specifications, are manufactured with reliable components, meet the international standard requirements.



- IP65 Protection Level
- Din rail mounted
- Shell material: ABS

Selection code

Type	Rated current	Pole	Rated working voltage	Order code
GDUKF1-120	20A	1 P	250V AC	270022
GDUKF1-220	20A	2 P	250V AC	270023
GDUKF1-320	20A	3 P	500V AC	270024
GDUKF1-420	20A	4 P	500V AC	270025
GDUKF1-135	35A	1 P	250V AC	270026
GDUKF1-235	35A	2 P	250V AC	270027
GDUKF1-335	35A	3 P	500V AC	270028
GDUKF1-435	35A	4 P	500V AC	270029
GDUKF1-163	63A	1 P	250V AC	270030
GDUKF1-263	63A	2 P	250V AC	270031
GDUKF1-363	63A	3 P	500V AC	270032
GDUKF1-463	63A	4 P	500V AC	270033
GDUKF2-120	20A	1 P	250V AC	270034
GDUKF2-220	20A	2 P	250V AC	270035
GDUKF2-320	20A	3 P	500V AC	270036
GDUKF2-420	20A	4 P	500V AC	270037
GDUKF2-135	35A	1 P	250V AC	270038
GDUKF2-235	35A	2 P	250V AC	270039
GDUKF2-335	35A	3 P	500V AC	270040
GDUKF2-435	35A	4 P	500V AC	270041
GDUKF2-163	63A	1 P	250V AC	270042
GDUKF2-263	63A	2 P	250V AC	270043
GDUKF2-363	63A	3 P	500V AC	270044
GDUKF2-463	63A	4 P	500V AC	270045
GDUKF3-120	20A	1 P	250V AC	270046
GDUKF3-220	20A	2 P	250V AC	270047

GDUKF AC Isolator Switch

● GDUKF series outdoor AC isolating switches are mainly used in outdoor scenes, such as docks, lighthouses, construction sites, etc., with good waterproof ability, waterproof level up to IP65, waterproof and dustproof, complete specifications, are manufactured with reliable components, meet the international standard requirements.

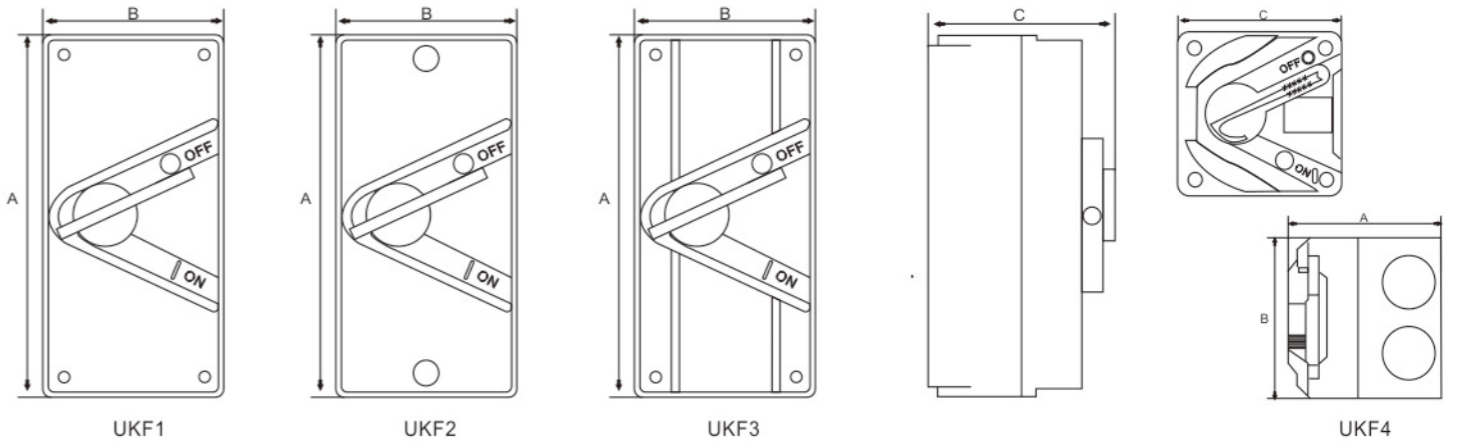


GDUKF3-320	20A	3 P	500V AC	270048
GDUKF3-420	20A	4 P	500V AC	270049
GDUKF3-135	35A	1 P	250V AC	270050
GDUKF3-235	35A	2 P	250V AC	270051
GDUKF3-335	35A	3 P	500V AC	270052
GDUKF3-435	35A	4 P	500V AC	270053
GDUKF3-163	63A	1 P	250V AC	270054
GDUKF3-263	63A	2 P	250V AC	270055
GDUKF3-363	63A	3 P	500V AC	270056
GDUKF3-463	63A	4 P	500V AC	270057
GDUKF4-110	10A	1 P	250V AC	270058
GDUKF4-210	10A	2 P	250V AC	270059
GDUKF4-116	16A	1 P	250V AC	270060
GDUKF4-216	16A	2 P	250V AC	270061
GDUKF4-120	20A	1 P	250V AC	270062
GDUKF4-220	20A	2 P	250V AC	270063
GDUKF4-135	35A	1 P	250V AC	270064
GDUKF4-235	35A	2 P	250V AC	270065

Size

Rated current	20A	20A	20A	UKF1, UKF2, UKF3, Size
Pole	1P,2P,3P,4P	1P,2P,3P,4P	1P,2P,3P,4P	
Size(mm)	A: 166 B: 83 C: 86	A: 166 B: 83 C: 86	A: 166 B: 83 C: 86	

Rated current	10A	16A	20A	35A	UKF4 Size
Pole	1P,2P	1P,2P	1P,2P	1P,2P	
Size(mm)	A: 80 B: 85 C: 85	A: 80 B: 85 C: 85	A: 80 B: 85 C: 85	A: 80 B: 85 C: 85	





GD30 AC Isolator Switch

● GD30 series load isolation switch is used for AC 50Hz, rated operational voltage up to 440V, rated current up to 100A in electrical circuits, for ventilating equipment, air conditioners and water pumps on the master switch of the system, .

GD30 AC Isolator Switch

● GD30 series load isolation switch is used for AC 50Hz, rated operational voltage up to 440V, rated current up to 100A in electrical circuits, for ventilating equipment, air conditioners and water pumps on the master switch of the system, .

Product introduction

- GD30 series load isolation switch is used for AC 50Hz, rated operational voltage up to 440V, rated current up to 100A in electrical circuits, for ventilating equipment, air conditioners and water pumps on the master switch of the system, can also directly control small-capacity motor.
- Rotary switches comply with: GB/14048.3 and IEC60947-3.
- GD30 series switch specifications, 20A, 25A, 32A, 40A, 63A and 80A, 100A current rating.
- GD30 series switch has a small size, compact structure, selection of exquisite, well insulated, with finger function, safe and reliable, you can add others to the 3-pole standard block contacts without having to dismantle the switch
- GD30 series switch insulation distances greater than the other switch, disconnect the speed, applicable to DC switching.

Normal working conditions

- Ambient temperature Do not exceed 40°C, and the average temperature, Measured over a period of 24h, do not exceed 35°C.
- Ambient temperature should not be below -25°C.
- Should not be installed over 2000m above sealevel.
- The highest temperature of 40°C, relative humidity of air no more than 50%. At lower temperatures, A higher humidity is allowed, Such as at 20°C, up to 90% humidity allowed. It shall adopt the special treatment against the condensation water.

Installation conditions

- A clean environment is required.
- Please follow our manual installation

Classification

- Classified by utilization, (1)AC-23A, (2)AC-3
- Classified by protective level
(1)Without plastic box:IP20
(2)With plastic box:IP65



GD30-25



GD30-32



GD30-63



GD30-100



GDS04-2/D2-32



GDS04-2/D2-63



GDS04-2/D2-100

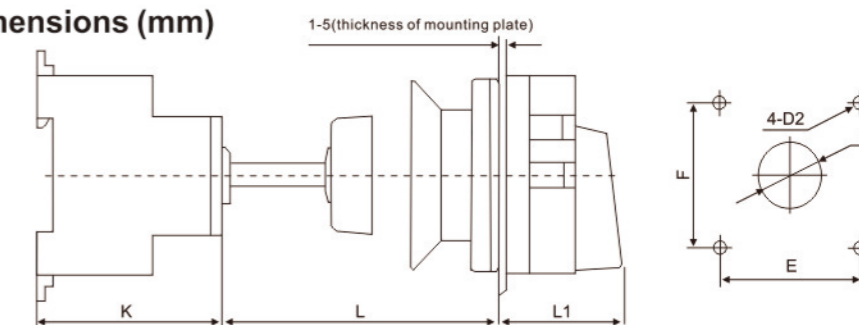
Technical parameters

Type		GD30-25	GD30-32	GD30-40	GD30-63	GD30-100	GD30-125
Rated thermal current(Ith)	A	25	32	40	63	100	125
Rated working voltage(Ue)	V	240/440					
Rating value(Ie/kW)							
AC-21A	A/kW	20/-20/-	32/-32/-	40/-40/-	63/-63/-	100/-100/-	125/-125/-
AC-22A	A/kW	20/-20/-	32/-32/-	40/-40/-	63/-63/-	100/-100/-	125/-125/-
AC-23A	A/kW	15/4 15/7.5	22/5.5 22/11	30/7.5 30/7.5	43/11 43/22	70/22 70/22	
AC-3	A/kW	11.7/3 11.7/5.5	15/4 15/7.5	15/4 15/7.5	36/11 36/18.5	57/18.5 57/30	

- Current type: AC 50Hz
- Number of main contact: ON or OFF
- Frequency: 8 hour work/intermittent periodic duty,/h operating frequency is 30 times. Electrical life: 10,000 times/AC-23, 6,000 times/AC-3, auxiliary contacts for 2000times.

Classification

Dimensions (mm)



Type	Outline size			Mounting size				Note
	A	L1	L	E	F	D1	D2	
GD30-20	50	32	150	48	48	Φ22	Φ4.2	GD30 Series door interlock Guide Installation
GD30-25	50	32	150	48	48	Φ22	Φ4.2	
GD30-32	50	32	150	48	48	Φ22	Φ4.2	
GD30-40	61	32	150	48	48	Φ22	Φ4.2	
GD30-63	61	32	150	48	48	Φ22	Φ4.2	
GD30-80	68	32	150	48	48	Φ22	Φ4.2	
GD30-100	68	32	150	48	48	Φ22	Φ4.2	

Order Code

Type	GD30-20	GD30-25	GD30-32	GD30-40	GD30-63	GD30-80	GD30-100
Order Code	270066	270067	270068	270069	270070	270071	270072
Type	GDS04-2/D2-20	GDS04-2/D2-25	GDS04-2/D2-32	GDS04-2/D2-40	GDS04-2/D2-63	GDS04-2/D2-80	GDS04-2/D2-100
Order Code	270073	270074	270075	270076	270077	270078	270079