

For the content contained in this manual, Gandian Lightning Protection has the final right to interpret. For more detailed information, please inquire; our company's technical engineers will serve you wholeheartedly. Because of the continuous innovation of product technology, please refer to the actual product or the manual; Subject to change without notice.

Use environmentally friendly materials



GA&DA



Overvoltage Protector Solutions Catalogue

GANDIAN LIGHTNING PROTECTION ELECTRI CO.LTD.

Headquarters address: No. 329, Gangcheng Avenue, Economic and Technological
Development Zone, Jiujiang City, Jiangxi Province

Zhejiang production base address: Xiangyang Industrial Zone, Liushi Town, Yueqing
City, Wenzhou City, Zhejiang Province

Tel:0792-8883456

Fax:0792-8883456

Fax:0792-8883456

Web:www.gandian-International.com

www.gadaspd.com

www.cngdfl.com

Email:Kenneth@cngdfl.com

www.gandian-International.com

BEST
LIFE

BEST
ELECTRIC

GA&DA

Gandianfanglei

Better life, better electricity

不辜负每一份电力，让电尽其所能

GANDIAN LANGYONG

有品质才有市场，有改进才有进步，有创新才有发展

坚守专业与责任，做行业的领跑者

Stick to professionalism and responsibility
and be the leader of the industry



公司简介 COMPANY PROFILE

Gandian Lightning Protection Electric Co., Ltd. is a modern high-tech enterprise dedicated to the design, research and development, production, sales and service of lightning safety protection equipment. The company is located in the economic and technological development zone of Jiujiang City, the only international trade port city in Jiangxi Province. The total plant construction area is 39,960 square meters, the factory covers an area of 29,970.16 square meters, and there are more than 200 employees.

Through continuous reform and innovation, the company develops its own brand, showing a new look of internationalization, modernization and informationization. Break through high-end industries with focus, upgrade traditional industries with automation, actively build automated electrical equipment bases, gather a team of highly skilled experts, strengthen the simultaneous development of advanced equipment industry and modern service industry, have a variety of fully functional product performance testing laboratories, 8/20us 150kA compatible with 10/350us 25kA simulated lightning laboratory, 10/350us 120kA simulated lightning laboratory, 1.2/50us combined wave generator, 1.2/50us voltage generator, gap, discharge tube detector, thermal stability test System, lightning online monitoring system, intelligent lightning protection detection system, SPD backup protector power frequency current test, lightning non-trip current test system and a series of advanced detection equipment, to ensure the stability and innovation of our products!

Independently develop a number of advanced production and processing automatic assembly lines, which integrate automatic glue filling, automatic soldering, automatic laminating, pad printing, laser marking, automatic detection and uploading of data, automatic sealing and packaging and other automatic equipment to ensure each product consistency, fully guarantee efficient production and high-quality management, with unified planning of logistics, production, life and other service facilities, and strive to build a first-class intelligent production industrial base with international competitiveness.

The company took the lead in passing ISO9001 quality system certification, ISO14001 environmental management system certification, OHSAS18001 occupational health and safety management system, CQC certification, European Community CE certification, TUV Rheinland certification, CB certification, Rohs certification, and established a system from software and hardware. A strict quality management system can meet the various needs of new and old customers with the fastest speed, the best products, and the best services; sales points are set up throughout the country, and the sales scope radiates to all provinces in China, Southeast Asia, South America, and Europe, Africa and many other places, the service scope is all over the country, and the high-quality products and good service have won the favor of the majority of customers.

The main products are power surge protector series, smart lightning protection series, smart surge protector series, smart lightning protection box series, signal lightning protection series, fuses, circuit breakers, photovoltaic connectors, transfer switches, photovoltaic cables Wait. The products are mainly used in the construction of urban and rural power grids, urban infrastructure construction, factory construction stages, major domestic and foreign oil fields, petrochemical companies, shipbuilding industry, offshore oil drilling platforms, military power construction, photovoltaic power generation, wind power generation, coal, petroleum, Chemical, industrial and mining, hospitals, airports and other fields.

The company adheres to the corporate culture of "integrity first, happiness in the world, sharing and win-win", adheres to the spirit of "pragmatism, hard work, and dedication", and has the dream of "revitalizing national industry and assuming social morality". With the principle of trust, persist in realizing the new situation of "sustainable development, cooperative innovation", with the attitude of "professional, dedicated, rigorous, and eager to learn", always practice the glorious mission of "based on Rael Dunwei and build a world brand together".

Staff living area

The staff living area has 4360 square meters, 42 single rooms, 28 suites, supporting internal canteen, fitness area, outdoor activity area

Stamping and injection molding area

The stamping and injection molding area has 6800 square meters, 30 injection molding machines, 7 45T stamping machines, 5 35T stamping machines, 8 25 stamping machines, and the remaining 18 stamping machines of each tonnage

Comprehensive production area

The comprehensive production area has 8,100 square meters, dozens of production lines for various products, a simulation laboratory for lightning strikes, and various lightning protection products test instruments, etc.



实验设备 Laboratory And Testing



证书 Certificate And International Patents



ISO14001



ISO9001



OHSAS18001



CB



CQC



型式试验



TUV-CE



TUV



试验报告

GDV1 Voltage Protector(Single display)

The protector can quickly disconnect the power supply to protect the appliances when there is power interruption or the voltage exceeds or falls below the predetermined value. When the power supply recovers, the protector automatically connects the power after 1-2 minutes' delay.



GDV1-2



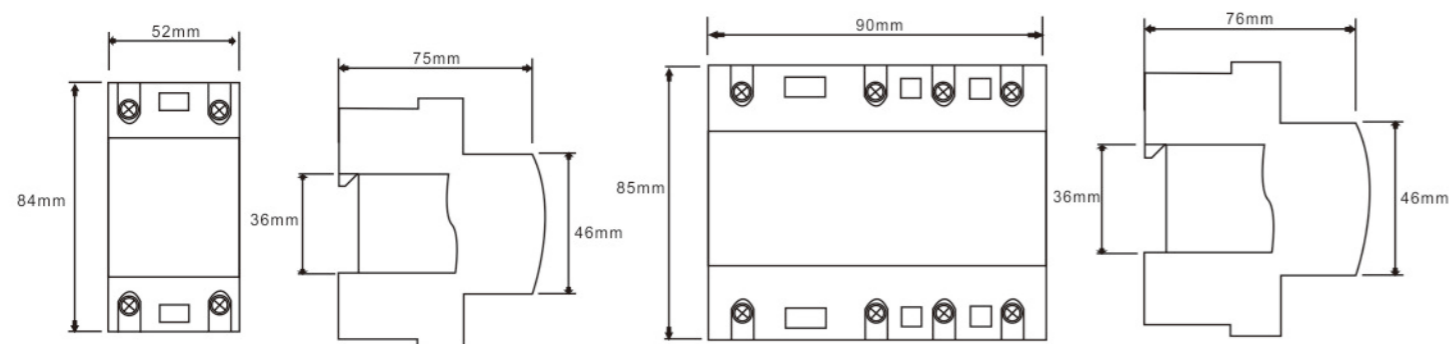
GDV1-4

- Overvoltage and overcurrent protection
- Flame retardant material,
- Automatic reset

The main technical parameters

Type	GDV1-2	GDV1-4
Number of Poles	Single Phase	Three Phase
Rated Voltage (VAC)	220	380
Rated Working Current(A)	40/63A	63/100A
Over-Voltage Cut-Off Value (VAC)	230-270 adjustable (400V short time)	390-450 adjustable
Time Delay (s)	0.01	0.01
Under-Voltage Cut-Off Value (VAC)	120-210 adjustable	210-360 adjustable
Time Delay (s)	0.1	0.1
Recovery Setting Time Range (s)	10-600	10-600
Self Power Consumption(W)	≤3	≤3
Ambient Temperature (°C)	-20~+40°C	

Size



Type	GDV1-2/40A	GDV1-2/63A	GDV1-4/63A	GDV1-4/80A	GDV1-4/100A
Order Code	270279	270280	270281	270282	270283

GDV2 Voltage Protector(dual display)

GD30 series load isolation switch is used for AC 50Hz, rated operational voltage up to 440V, rated current up to 100A in electrical circuits, for ventilating equipment, air conditioners and water pumps on the master switch of the system.



GDV2-2



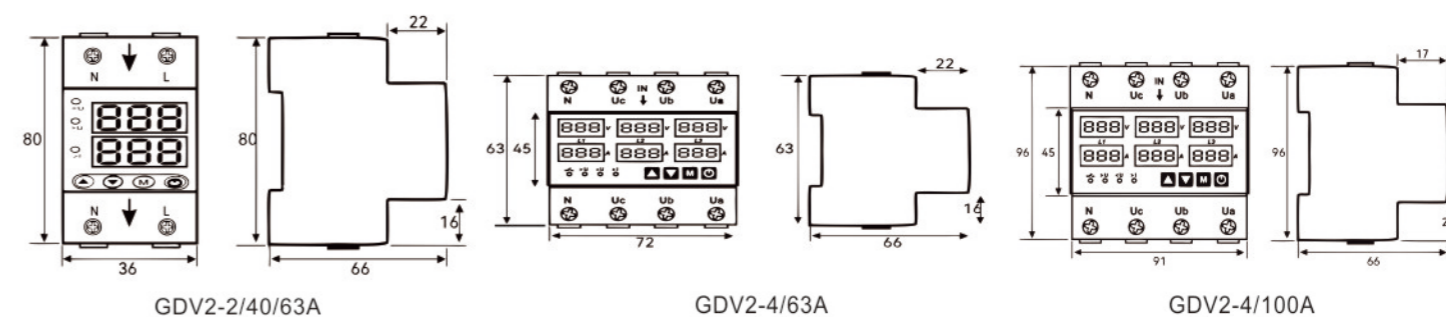
GDV2-4

- Overvoltage and overcurrent protection
- Flame retardant material,
- Automatic reset

The main technical parameters

Type	GDV2-2	GDV2-4
Rated Working Voltage	220V	220V/380V
Operation Voltage Range	AC80V-400V(Single Phase)	AC140V-500V(Three Phase)
Rated Frequency	50/60Hz	
Rated Working Current	40A/63A	63/100A
Over-voltage Protection Value	AC230V-AC300V	AC390V-AC500V
Under-voltage Protection Value	AC140V-AC210V	AC140V-AC370V
Voltage Power Off Time	1-400s	
Over current Protection Value	1-40A/1-63A	1-63A
Over current Power Off Time	1-30s	1-30s
Recover time (Starting Delay Time)	1-400s/1-30s	1-400s
Own Power Consumption	≤1.5W	
Motor Mechanical Life	≥100,000 Times	
Relative Humidity	45-90%RH	
Temperature	40°C	
Altitude	≤2000M	

Size



Type	GDV2-2/40A	GDV2-2/63A	GDV2-4/63A	GDV2-4/80A	GDV2-4/100A
Order Code	270284	270285	270286	270287	270288