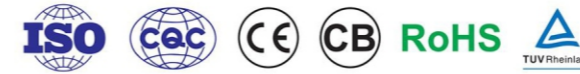


For the content contained in this manual, Gandian Lightning Protection has the final right to interpret. For more detailed information, please inquire; our company's technical engineers will serve you wholeheartedly. Because of the continuous innovation of product technology, please refer to the actual product or the manual; Subject to change without notice.

Use environmentally friendly materials



GA&DA



DC/AC COMBINER-BOX

Solutions Catalogue

GANDIAN LIGHTNING PROTECTION ELECTRI CO.LTD.

Headquarters address: No. 329, Gangcheng Avenue, Economic and Technological Development Zone, Jiujiang City, Jiangxi Province

Zhejiang production base address: Xiangyang Industrial Zone, Liushi Town, Yueqing City, Wenzhou City, Zhejiang Province

Tel:0792-8883456

Fax:0792-8883456

Fax:0792-8883456

Web:www.gandian-International.com

www.gadaspd.com

www.cngdfl.com

Email:Kenneth@cngdfl.com

www.gandian-International.com

BEST
LIFE

BEST
ELECTRIC

GA&DA

Gandianfanglei

Better life, better electricity

不辜负每一份电力，让电尽其所能

GANDIAN LANGYONG

有品质才有市场，有改进才有进步，有创新才有发展

坚守专业与责任，做行业的领跑者

Stick to professionalism and responsibility
and be the leader of the industry



公司简介 COMPANY PROFILE

Gandian Lightning Protection Electric Co., Ltd. is a modern high-tech enterprise dedicated to the design, research and development, production, sales and service of lightning safety protection equipment. The company is located in the economic and technological development zone of Jiujiang City, the only international trade port city in Jiangxi Province. The total plant construction area is 39,960 square meters, the factory covers an area of 29,970.16 square meters, and there are more than 200 employees.

Through continuous reform and innovation, the company develops its own brand, showing a new look of internationalization, modernization and informationization. Break through high-end industries with focus, upgrade traditional industries with automation, actively build automated electrical equipment bases, gather a team of highly skilled experts, strengthen the simultaneous development of advanced equipment industry and modern service industry, have a variety of fully functional product performance testing laboratories, 8/20us 150kA compatible with 10/350us 25kA simulated lightning laboratory, 10/350us 120kA simulated lightning laboratory, 1.2/50us combined wave generator, 1.2/50us voltage generator, gap, discharge tube detector, thermal stability test System, lightning online monitoring system, intelligent lightning protection detection system, SPD backup protector power frequency current test, lightning non-trip current test system and a series of advanced detection equipment, to ensure the stability and innovation of our products!

Independently develop a number of advanced production and processing automatic assembly lines, which integrate automatic glue filling, automatic soldering, automatic laminating, pad printing, laser marking, automatic detection and uploading of data, automatic sealing and packaging and other automatic equipment to ensure each product consistency, fully guarantee efficient production and high-quality management, with unified planning of logistics, production, life and other service facilities, and strive to build a first-class intelligent production industrial base with international competitiveness.

The company took the lead in passing ISO9001 quality system certification, ISO14001 environmental management system certification, OHSAS18001 occupational health and safety management system, CQC certification, European Community CE certification, TUV Rheinland certification, CB certification, Rohs certification, and established a system from software and hardware. A strict quality management system can meet the various needs of new and old customers with the fastest speed, the best products, and the best services; sales points are set up throughout the country, and the sales scope radiates to all provinces in China, Southeast Asia, South America, and Europe, Africa and many other places, the service scope is all over the country, and the high-quality products and good service have won the favor of the majority of customers.

The main products are power surge protector series, smart lightning protection series, smart surge protector series, smart lightning protection box series, signal lightning protection series, fuses, circuit breakers, photovoltaic connectors, transfer switches, photovoltaic cables Wait. The products are mainly used in the construction of urban and rural power grids, urban infrastructure construction, factory construction stages, major domestic and foreign oil fields, petrochemical companies, shipbuilding industry, offshore oil drilling platforms, military power construction, photovoltaic power generation, wind power generation, coal, petroleum, Chemical, industrial and mining, hospitals, airports and other fields.

The company adheres to the corporate culture of "integrity first, happiness in the world, sharing and win-win", adheres to the spirit of "pragmatism, hard work, and dedication", and has the dream of "revitalizing national industry and assuming social morality". With the principle of trust, persist in realizing the new situation of "sustainable development, cooperative innovation", with the attitude of "professional, dedicated, rigorous, and eager to learn", always practice the glorious mission of "based on Rael Dunwei and build a world brand together".

Staff living area

The staff living area has 4360 square meters, 42 single rooms, 28 suites, supporting internal canteen, fitness area, outdoor activity area

Stamping and injection molding area

The stamping and injection molding area has 6800 square meters, 30 injection molding machines, 7 45T stamping machines, 5 35T stamping machines, 8 25 stamping machines, and the remaining 18 stamping machines of each tonnage

Comprehensive production area

The comprehensive production area has 8,100 square meters, dozens of production lines for various products, a simulation laboratory for lightning strikes, and various lightning protection products test instruments, etc.



实验设备 Laboratory And Testing



Lab 1



Lab 2



Lab 3



R&D Center No. 1



R&D Center No. 2



Glow Wire Tester



SPD thermal stability test system



Programmable salt spray test machine



Simulated lightning test platform



Programmable constant temperature and humidity test chamber



1.2/50µs voltage wave generator



Coupling and decoupling online cabinet



1.2/50µs combined wave generator

证书 Certificate And International Patents



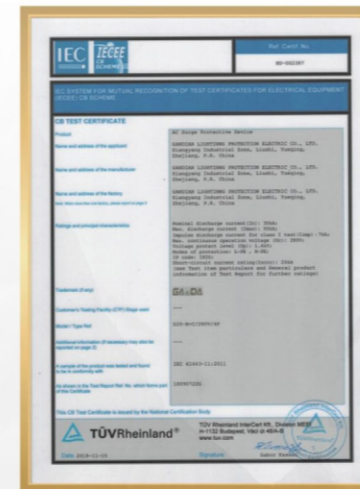
ISO14001



ISO9001



OHSAS18001



CB



CQC



RoHS



TUV-CE



TUV



CE

GDT Waterproof Distribution Board

- It is applicable for special waterproof, dustproof and corrosion-proof locations.
- Executive standard: IEC60529, EN 60309, IP65.

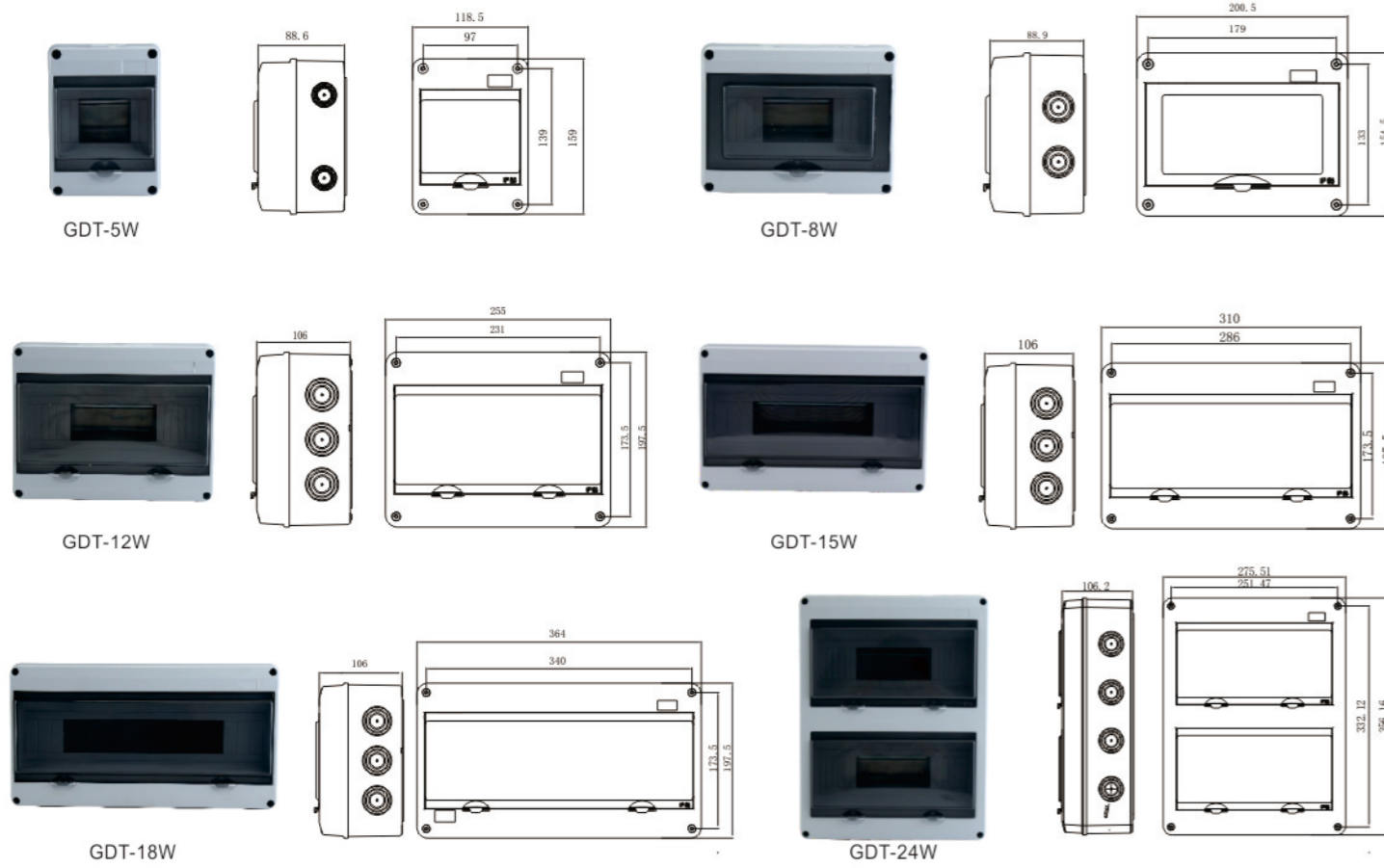


GDA Waterproof Flame retardant Distribution Board

- It is applicable for special waterproof, dustproof and corrosion-proof locations.
- Executive standard: IEC60529, EN 60309, IP65.
- Waterproof, Flame retardant.



Product Size

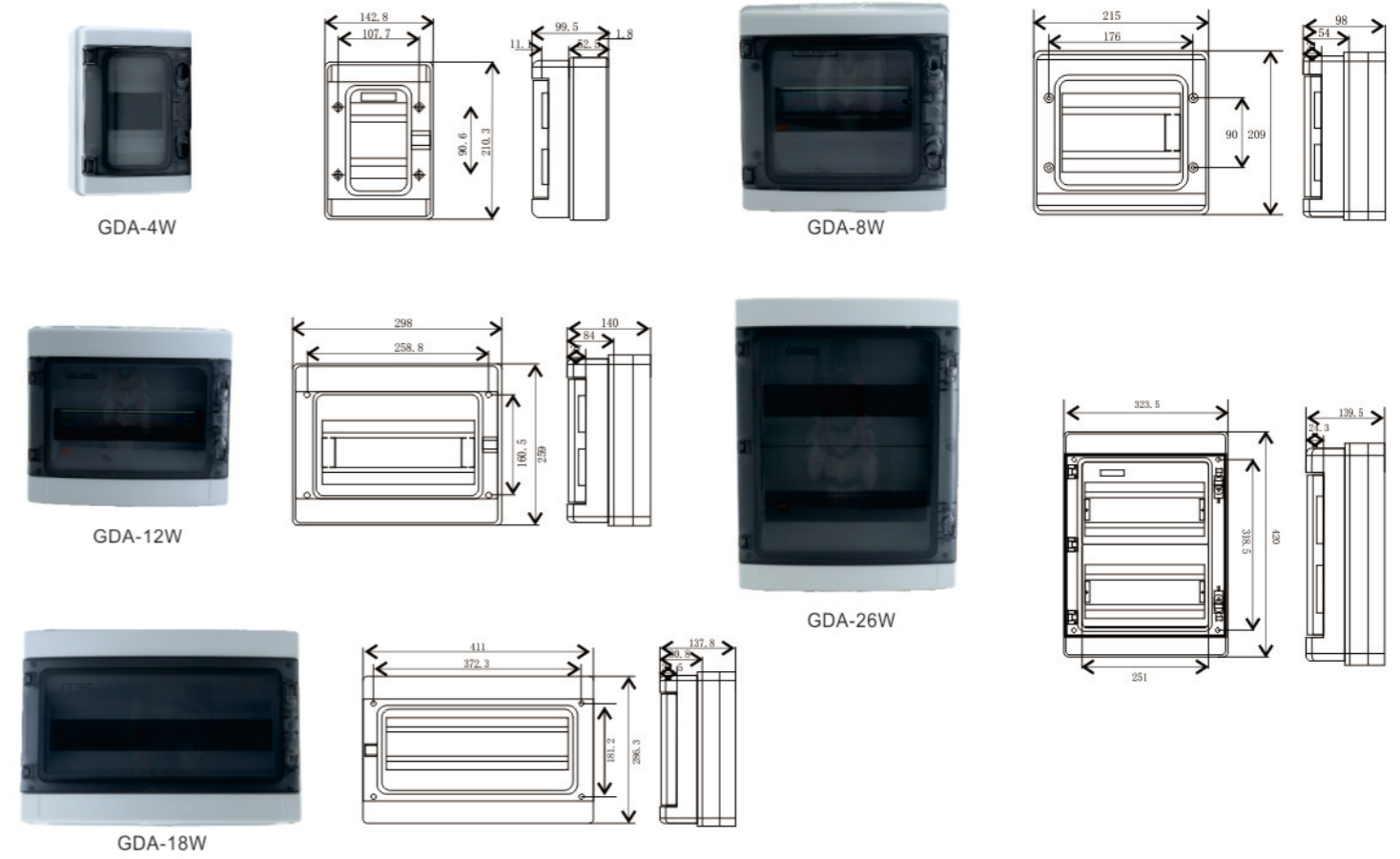


Type	L	W	H
GDT-5Ways	118.5mm	159mm	88.6mm
GDT-8Ways	200.5mm	154.5mm	88.9mm
GDT-12Ways	255mm	197.5mm	106mm
GDT-15Ways	310mm	197.5mm	106mm
GDT-18Ways	364mm	197.5mm	106mm
GDT-24Ways	275.51mm	356.16mm	106.2mm

Order Code

Type	GDT-5W	GDT-8W	GDT-12W	GDT-15W
Order Code	270268	270269	270270	270271
Type	GDT-18W	GDT-24W	/	/
Order Code	270272	270273	/	/

Product Size



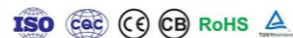
Type	L	W	H
GDA-4Ways	142.8mm	210.3mm	99.5mm
GDA-8Ways	215mm	209mm	88mm
GDA-12Ways	298mm	259mm	140mm
GDA-18Ways	411mm	286.3mm	137.8mm
GDA-26Ways	323.5mm	420mm	139.5mm

Order Code

Type	GDA-4W	GDA-8W	GDA-12W	GDA-18W
Order Code	270274	270275	270276	270277
Type	GDA-26W	/	/	/
Order Code	270278	/	/	/

GDS-PV1/1 DC COMBINER BOX

GDS-PV1/1 combiner box is suitable for inverter (MAX input voltage DC500V/DC1000V/DC1200V /DC1500V, 1 PV input channel, 1 output channel, single MPPT inverter).Box body is made of PVC e-ngineering materials, with test for fire retardant. temperature rise,anti impact, anti ultraviolet and ot-her testing. IP65 protection grade.



- High reliability
With DC FUSE
With DC Surge Protection Device
With DC circuit breaker or DC load isolation switch.
- Strong adaptability
IP65 design, waterproof, anti dust and anti ultraviolet. Strict test for high And low temperature, used widely.
The simple installation, the simplified system wiring, the convenient wiring.
The box body is made of cold rolled steel and other metal materials.
- Flexible configuration
Used for single crystal silicon solar modules, polycrystalline silicon solar modules, thin film solar modules. Current rating of the photovoltaic fuse,circuit breaker, load isolation switch is modified.



Configuration diagram

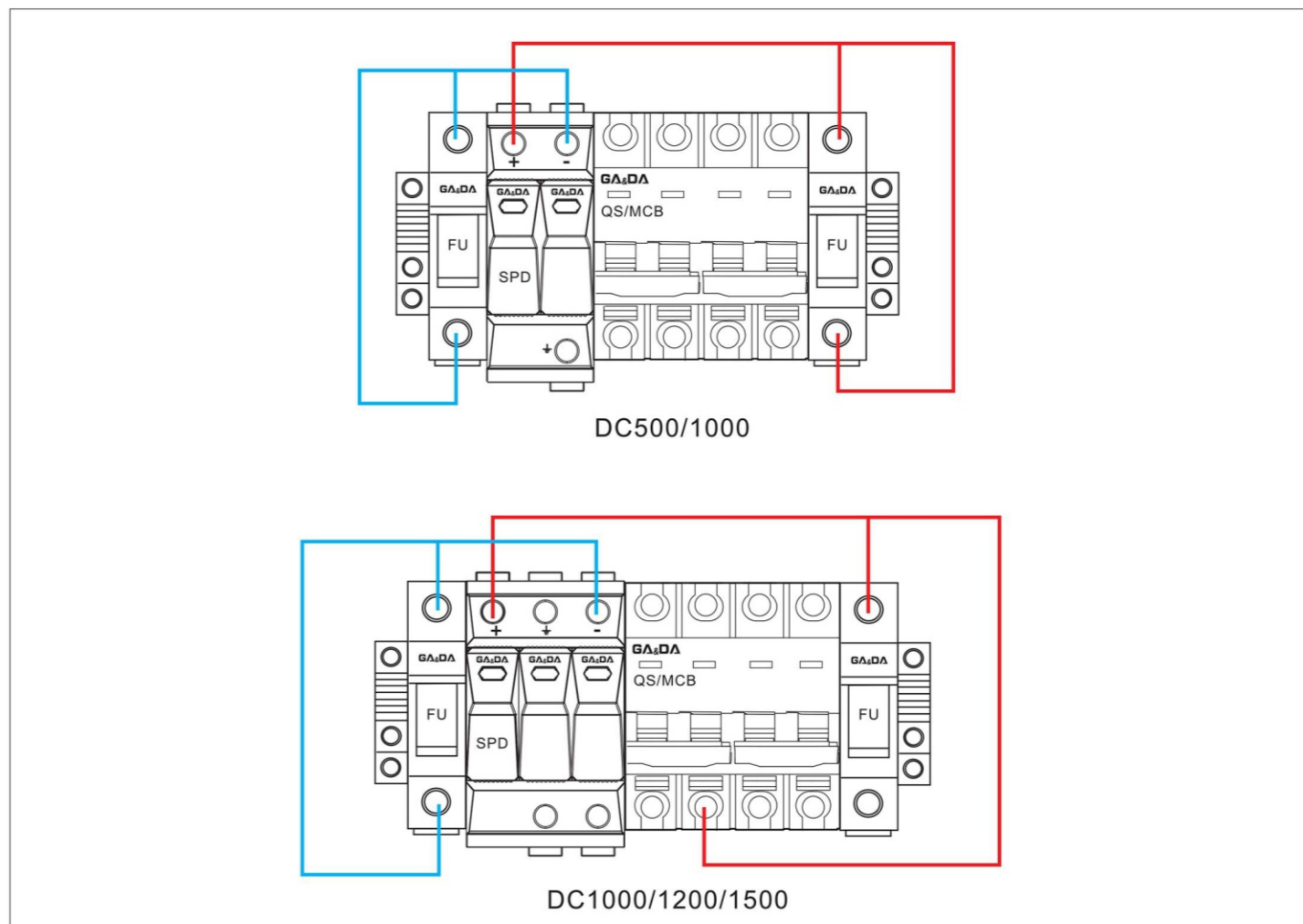
Type	GDS-PV1/1-DC500	GDS-PV1/1-DC1000	GDS-PV1/1-DC1500
Electric parameter			
Order Code	250001	250002	250003
System maximum dc voltage	500V DC	1000V DC	1500V DC
Maximum input current for each string	15A		
Maximum input strings	1		
Maximum output switch current	16/20A		
Number of inverter MPPT	1		
Number of output strings	1		
Lightning protection			
SPD according to EN 61643-11 / IEC 61643-11	Type 2/Class II /T2		
Max. PV voltage (d.c.) (Ucpv)	500V DC	1000V DC	1500V DC
Nominal discharge current (8/20 μs) (In)	20kA		
Max. discharge current (8/20 μs) (Imax)	40kA		
Voltage protection level (Up)	≤2.5kV	≤4.0kV	≤4.5kV
Poles	2P	3P	
System			
Protection garde	IP65		
Output swich	DC MCB(optional)/DC isolation switch(standard)		
Waterproof Connectors	PG/MC4		
PV DC FUSE	Standard		
PV SPD	Standard		
Monitoring module	Optional		
Preventing diode	Optional		
Box material	PVC		
Installation method	Wall mounting type		
Operating Temperature	-25 °C ... +55 °C		
Elevation of Temperature	2km		
Permissible relative humidity	0-95%,no condensation		
Width*High*Depth	215*210*98mm		

GDS-PV1/1 DC COMBINER BOX

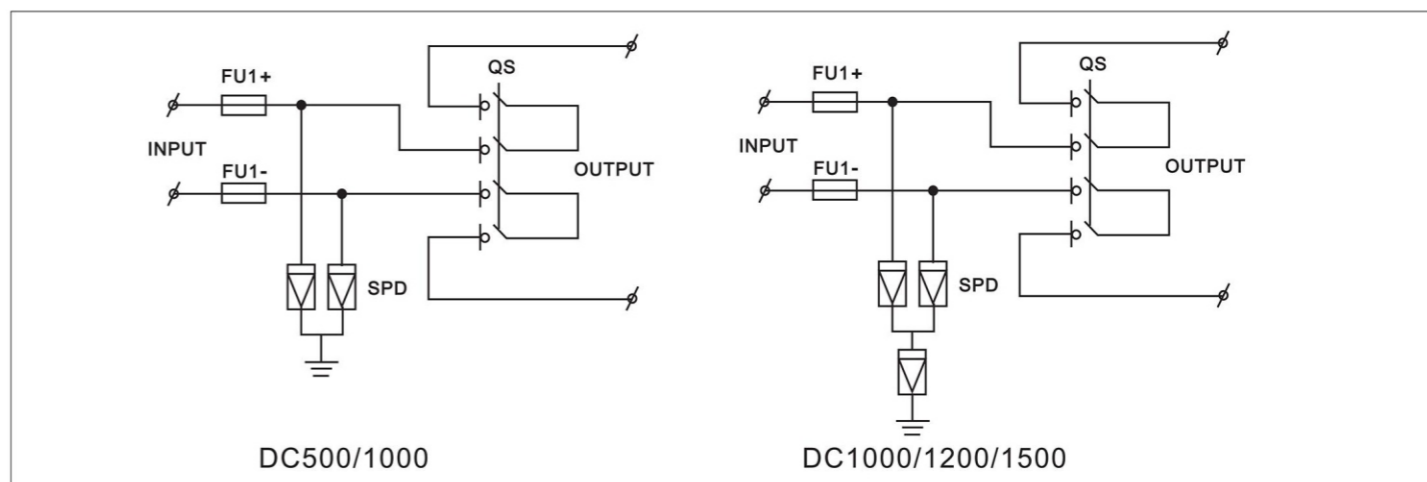
GDS-PV1/1 combiner box is suitable for inverter (MAX input voltage DC500V/DC1000V/DC1200V /DC1500V, 1 PV input channel, 1 output channel, single MPPT inverter).Box body is made of PVC e-ngineering materials, with test for fire retardant. temperature rise,anti impact, anti ultraviolet and ot-her testing. IP65 protection grade.



Configuration diagram



Schematic



GDS-PV2/1 DC COMBINER BOX

GDS-PV2/1 combiner box is suitable for inverter (MAX input voltage DC500V/DC1000V/DC1200V /DC1500V, 2 PV input channel, 1 output channel, single MPPT inverter). Box body is made of PVC engineering materials, with test for fire retardant, temperature rise, anti impact, anti ultraviolet and other testing. IP65 protection grade.



- High reliability
With DC FUSE
With DC Surge Protection Device
With DC circuit breaker or DC load isolation switch.
- Strong adaptability
IP65 design, waterproof, anti dust and anti ultraviolet. Strict test for high And low temperature, used widely.
The simple installation, the simplified system wiring, the convenient wiring.
The box body is made of cold rolled steel and other metal materials.
- Flexible configuration
Used for single crystal silicon solar modules, polycrystalline silicon solar modules, thin film solar modules. Current rating of the photovoltaic fuse, circuit breaker, load isolation switch is modified.



Configuration diagram

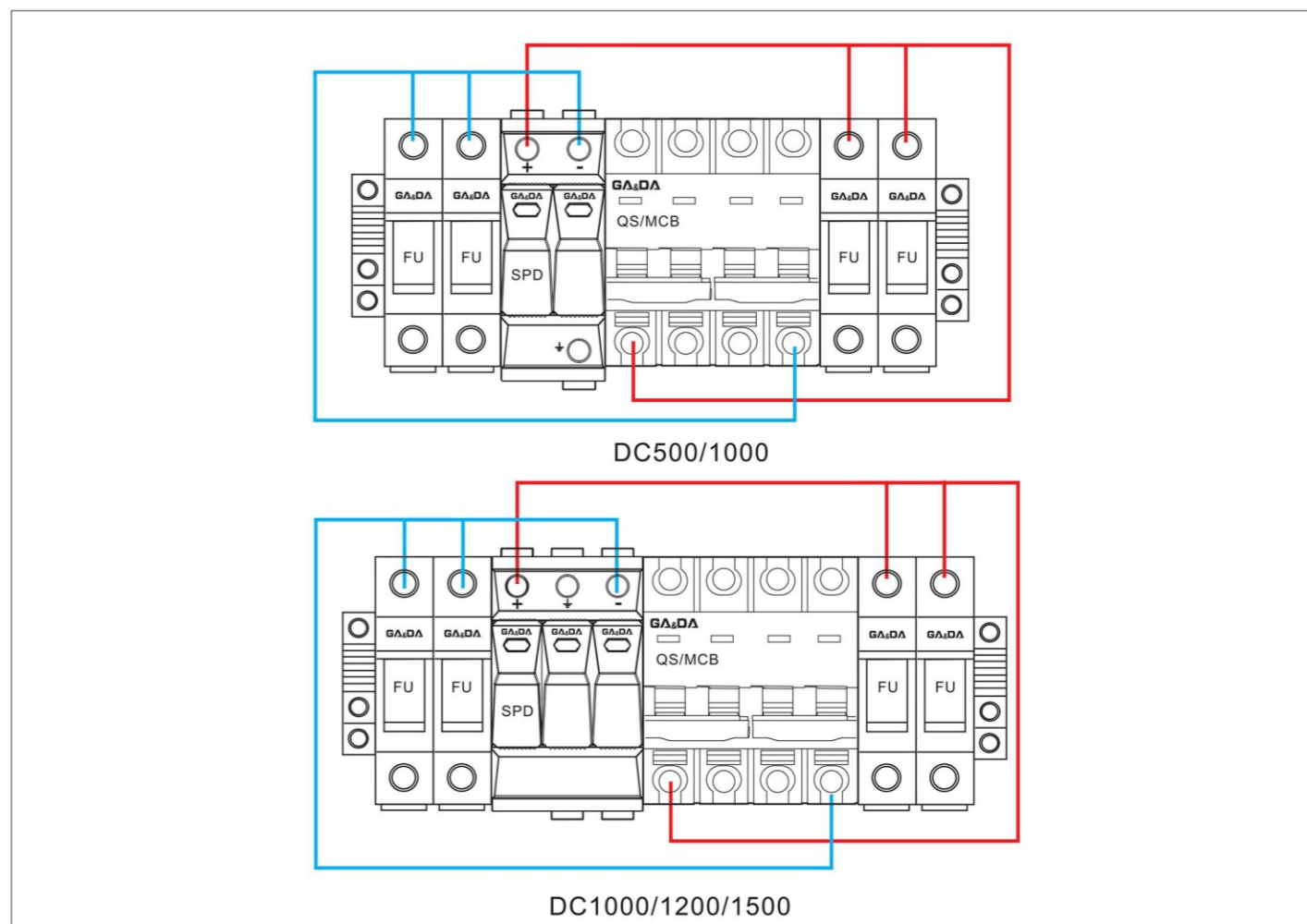
Type	GDS-PV2/1-DC500	GDS-PV2/1-DC1000	GDS-PV2/1-DC1500
Electric parameter			
Order Code	250004	250005	250006
System maximum dc voltage	500V DC	1000V DC	1500V DC
Maximum input current for each string	15A		
Maximum input strings	2		
Maximum output switch current	20/32A		
Number of inverter MPPT	1		
Number of output strings	1		
Lightning protection			
SPD according to EN 61643-11 / IEC 61643-11	Type 2/Class II /T2		
Max. PV voltage (d.c.) (Ucpv)	500V DC	1000V DC	1500V DC
Nominal discharge current (8/20 μs) (In)	20kA		
Max. discharge current (8/20 μs) (Imax)	40kA		
Voltage protection level (Up)	≤2.5kV	≤4.0kV	≤4.5kV
Poles	2P	3P	
System			
Protection grade	IP65		
Output switch	DC MCB(optional)/DC isolation switch(standard)		
Waterproof Connectors	PG/MC4		
PV DC FUSE	Standard		
PV SPD	Standard		
Monitoring module	Optional		
Preventing diode	Optional		
Box material	PVC		
Installation method	Wall mounting type		
Operating Temperature	-25 °C ... +55 °C		
Elevation of Temperature	2km		
Permissible relative humidity	0-95%,no condensation		
Width*High*Depth	215*210*98mm		

GDS-PV2/1 DC COMBINER BOX

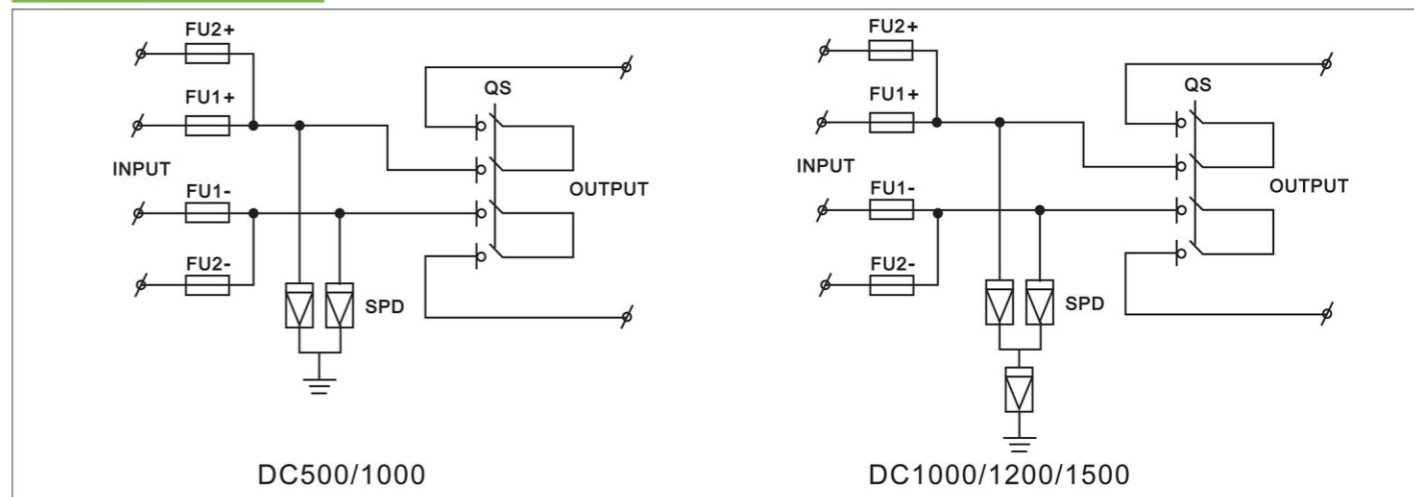
GDS-PV2/1 combiner box is suitable for inverter (MAX input voltage DC500V/DC1000V/DC1200V /DC1500V, 2 PV input channel, 1 output channel, single MPPT inverter). Box body is made of PVC engineering materials, with test for fire retardant, temperature rise, anti impact, anti ultraviolet and other testing. IP65 protection grade.



Configuration diagram

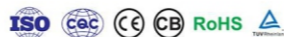


Schematic



GDHLX-PV3/1 DC COMBINER BOX

- GDS-PV3/1 combiner box is suitable for inverter (MAX input voltage DC500V/DC1000V/DC1200V /DC1500V, 3 PV input channel, 1 output channel, single MPPT inverter).Box body is made of PVC engineering materials, with test for fire retardant, temperature rise, anti impact, anti ultraviolet and other testing. IP65 protection grade.



- High reliability
With DC FUSE
With DC Surge Protection Device
With DC circuit breaker or DC load isolation switch.
- Strong adaptability
IP65 design, waterproof, anti dust and anti ultraviolet. Strict test for high And low temperature, used widely.
The simple installation, the simplified system wiring, the convenient wiring.
The box body is made of cold rolled steel and other metal materials.
- Flexible configuration
Used for single crystal silicon solar modules, polycrystalline silicon solar modules, thin film solar modules. Current rating of the photovoltaic fuse, circuit breaker, load isolation switch is modified.



Configuration diagram

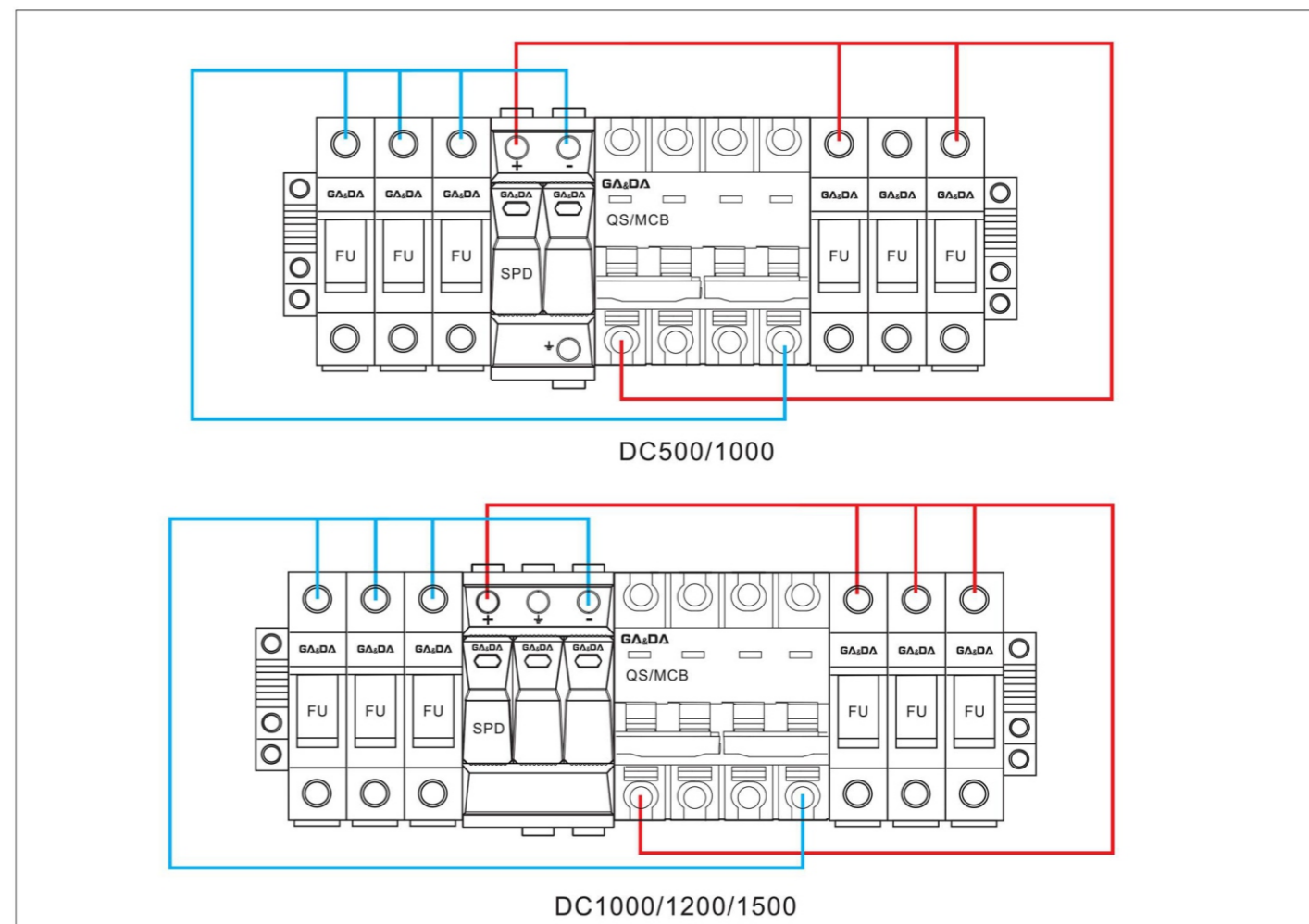
Type	GDS-PV3/1-DC500	GDS-PV3/1-DC1000	GDS-PV3/1-DC1500
Electric parameter			
Order Code	250007	250008	250009
System maximum dc voltage	500V DC	1000V DC	1500V DC
Maximum input current for each string	15A		
Maximum input strings	3		
Maximum output switch current	20/32A		
Number of inverter MPPT	1		
Number of output strings	1		
Lightning protection			
SPD according to EN 61643-11 / IEC 61643-11	Type 2/Class II /T2		
Max. PV voltage (d.c.) (Ucpv)	500V DC	1000V DC	1500V DC
Nominal discharge current (8/20 μs) (In)	20kA		
Max. discharge current (8/20 μs) (Imax)	40kA		
Voltage protection level (Up)	≤2.5kV	≤4.0kV	≤4.5kV
Poles	2P	3P	
System			
Protection garde	IP65		
Output swich	DC MCB(optional)/DC isolation switch(standard)		
Waterproof Connectors	PG/MC4		
PV DC FUSE	Standard		
PV SPD	Standard		
Monitoring module	Optional		
Preventing diode	Optional		
Box material	PVC		
Installation method	Wall mounting type		
Operating Temperature	-25 °C ... +55 °C		
Elevation of Temperature	2km		
Permissible relative humidity	0-95%,no condensation		
Width*High*Depth	300*260*140mm		

GDS-PV3/1 DC COMBINER BOX

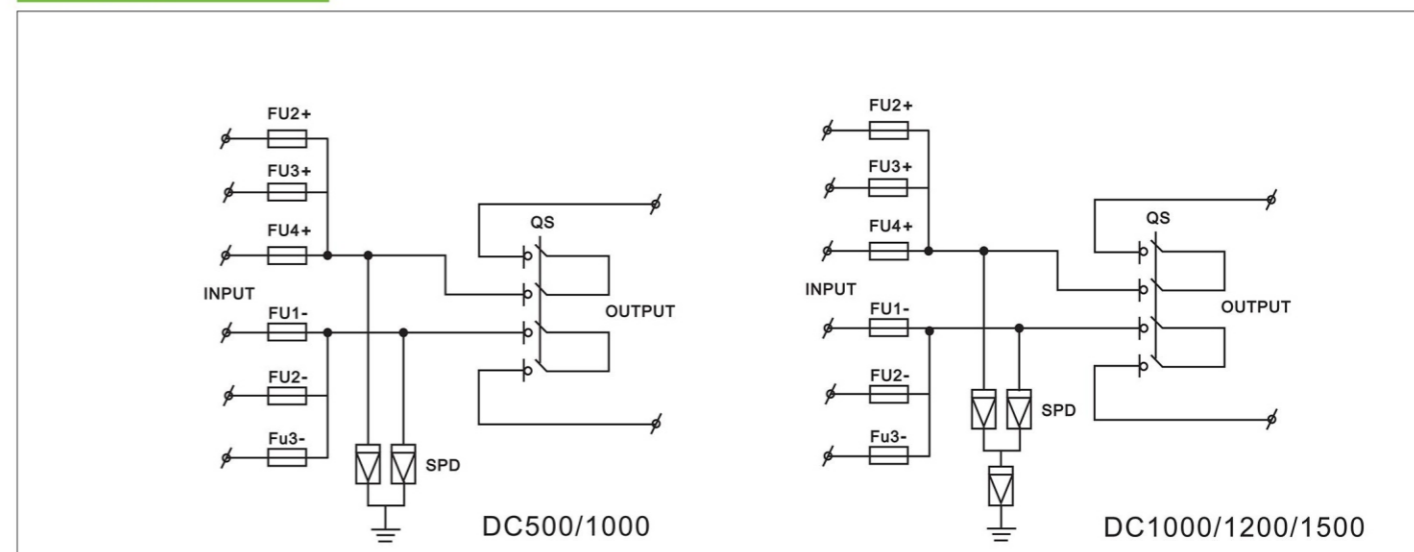
- GDS-PV3/1 combiner box is suitable for inverter (MAX input voltage DC500V/DC1000V/DC1200V /DC1500V, 3 PV input channel, 1 output channel, single MPPT inverter).Box body is made of PVC engineering materials, with test for fire retardant, temperature rise, anti impact, anti ultraviolet and other testing. IP65 protection grade.



Configuration diagram

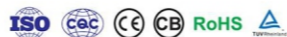


Schematic



GDS-PV4/1 DC COMBINER BOX

● GDHLX-PV4/1 combiner box is suitable for inverter (MAX input voltage DC500V/DC1000V/DC1200V /DC1500V, 4 PV input channel, 1 output channel, single MPPT inverter).Box body is made of PVC e-ngineering materials, with test for fire retardant. temperature rise,anti impact, anti ultraviolet and other testing. IP65 protection grade.



- High reliability
With DC FUSE
With DC Surge Protection Device
With DC circuit breaker or DC load isolation switch.
- Strong adaptability
IP65 design, waterproof, anti dust and anti ultraviolet. Strict test for high And low temperature, used widely.
The simple installation, the simplified system wiring, the convenient wiring. The box body is made of cold rolled steel and other metal materials.
- Flexible configuration
Used for single crystal silicon solar modules, polycrystalline silicon solar modules, thin film solar modules. Current rating of the photovoltaic fuse,circuit breaker, load isolation switch is modified.



Configuration diagram

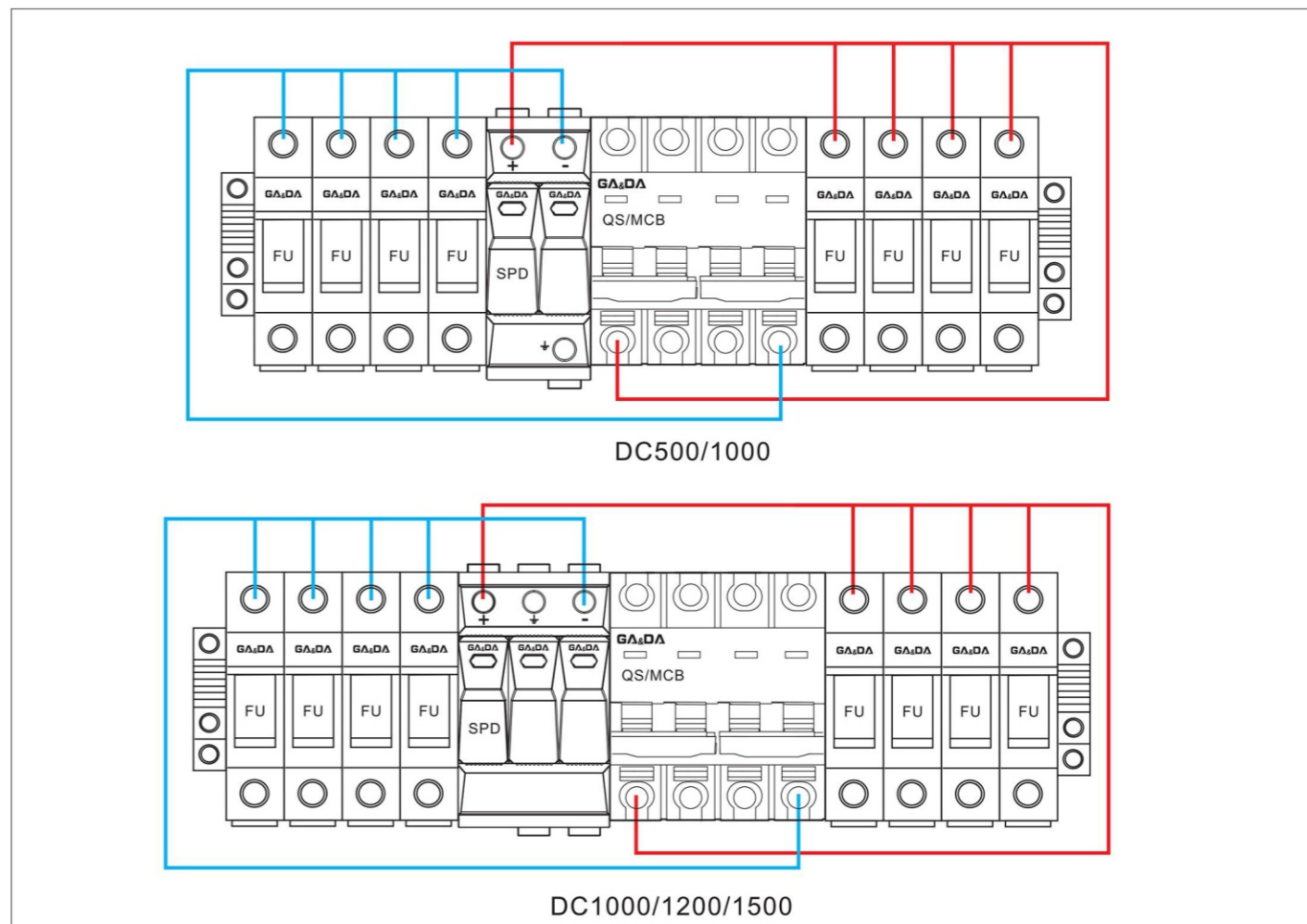
Type	GDS-PV4/1-DC500	GDS-PV4/1-DC1000	GDS-PV4/1-DC1500
Electric parameter			
Order Code	250010	250011	250012
System maximum dc voltage	500V DC	1000V DC	1500V DC
Maximum input current for each string	15A		
Maximum input strings	4		
Maximum output switch current	50/63A		
Number of inverter MPPT	1		
Number of output strings	1		
Lightning protection			
SPD according to EN 61643-11 / IEC 61643-11	Type 2/Class II /T2		
Max. PV voltage (d.c.) (Ucpv)	500V DC	1000V DC	1500V DC
Nominal discharge current (8/20 μs) (In)	20kA		
Max. discharge current (8/20 μs) (Imax)	40kA		
Voltage protection level (Up)	≤2.5kV	≤4.0kV	≤4.5kV
Poles	2P	3P	
System			
Protection garde	IP65		
Output swich	DC MCB(optional)/DC isolation switch(standard)		
Waterproof Connectors	PG/MC4		
PV DC FUSE	Standard		
PV SPD	Standard		
Monitoring module	Optional		
Preventing diode	Optional		
Box material	PVC		
Installation method	Wall mounting type		
Operating Temperature	-25 °C ... +55 °C		
Elevation of Temperature	2km		
Permissible relative humidity	0-95%,no condensation		
Width*High*Depth	300*260*140mm		

GDS-PV4/1 DC COMBINER BOX

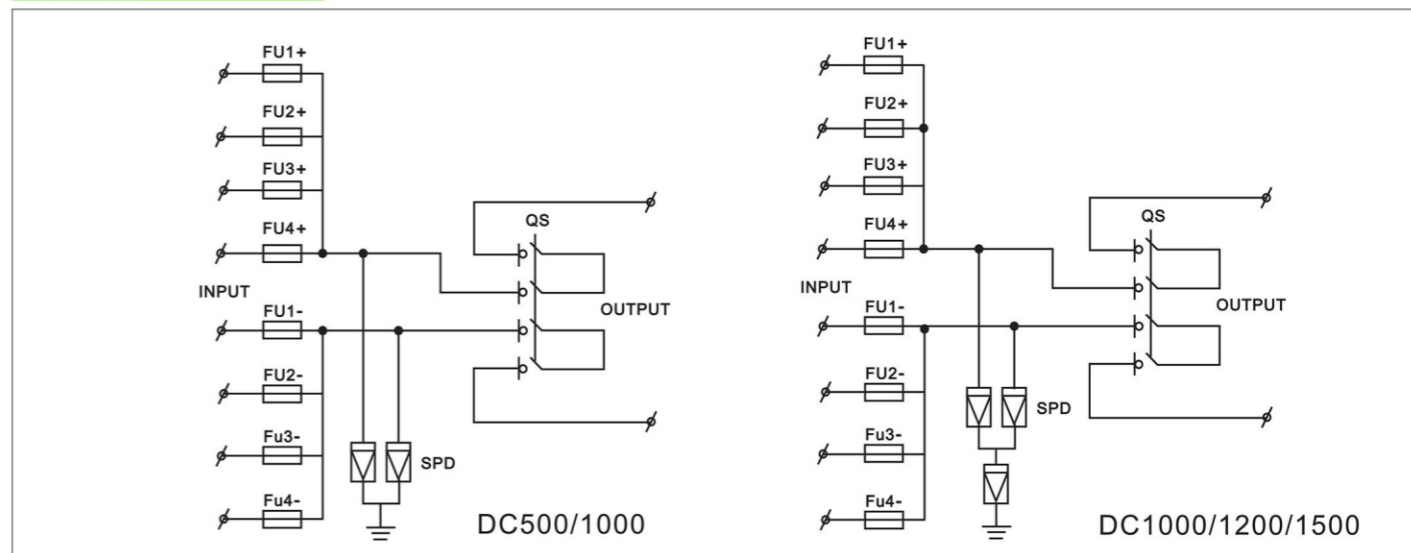
● GDHLX-PV4/1 combiner box is suitable for inverter (MAX input voltage DC500V/DC1000V/DC1200V /DC1500V, 4 PV input channel, 1 output channel, single MPPT inverter).Box body is made of PVC e-ngineering materials, with test for fire retardant. temperature rise,anti impact, anti ultraviolet and other testing. IP65 protection grade.



Configuration diagram

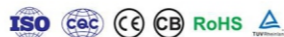


Schematic



GDS-PV6/1 DC COMBINER BOX

GDS-PV6/1 combiner box is suitable for inverter (MAX input voltage DC1000V/DC1200V/DC1500V, 6 PV input channel, 1 output channel, single MPPT inverter). Box body is made of PVC engineering materials, with test for fire retardant, temperature rise, anti impact, anti ultraviolet and other testing.



- High reliability
With DC FUSE
With DC Surge Protection Device
With DC circuit breaker or DC load isolation switch.
- Strong adaptability
IP65 design, waterproof, anti dust and anti ultraviolet. Strict test for high And low temperature, used widely.
The simple installation, the simplified system wiring, the convenient wiring.
The box body is made of cold rolled steel and other metal materials.
- Flexible configuration
Used for single crystal silicon solar modules, polycrystalline silicon solar modules, thin film solar modules. Current rating of the photovoltaic fuse, circuit breaker, load isolation switch is modified.



Configuration diagram

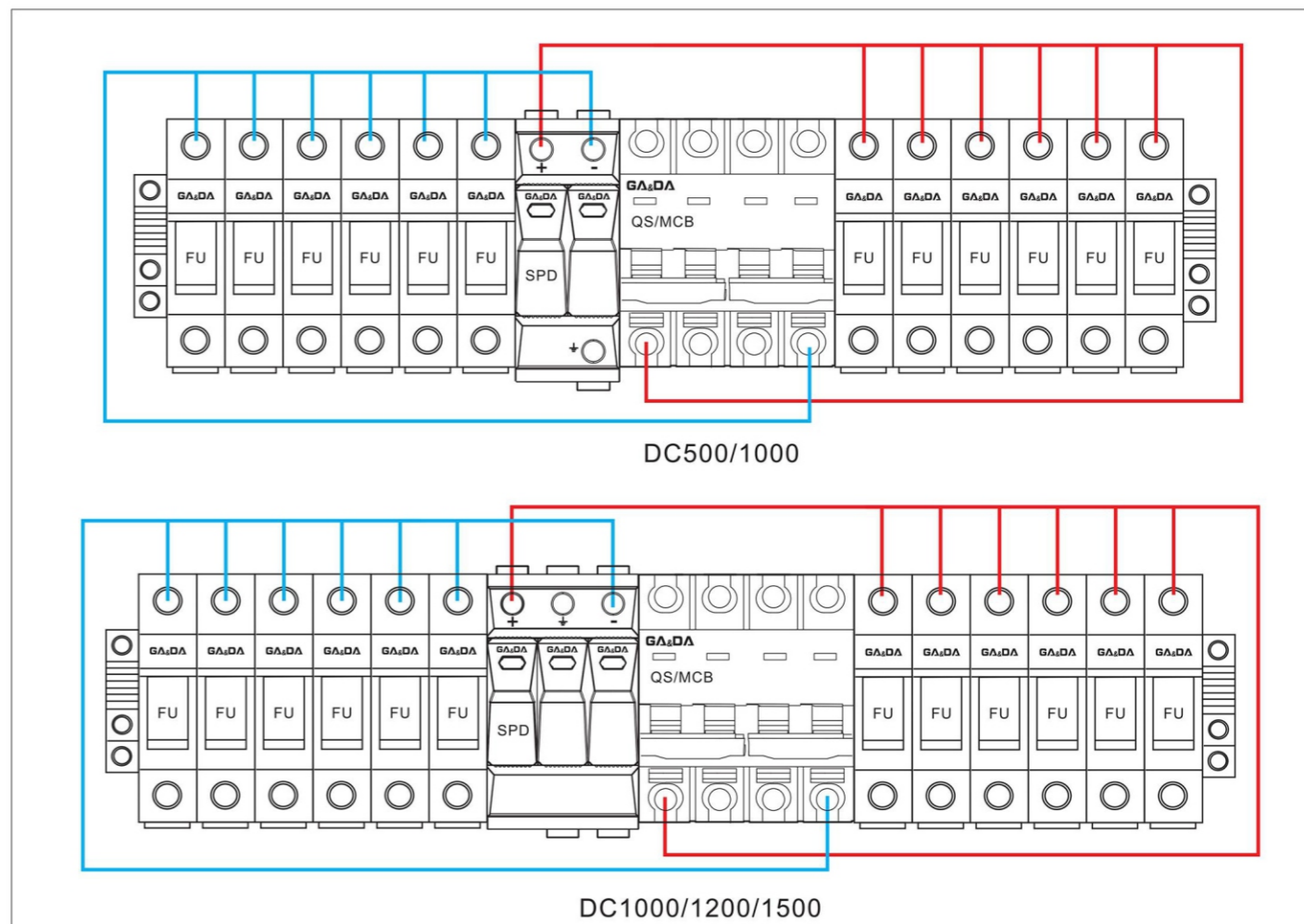
Type	GDS-PV6/1-DC500	GDS-PV6/1-DC1000	GDS-PV6/1-DC1500
Electric parameter			
Order Code	250013	250014	250015
System maximum dc voltage	500V DC	1000V DC	1500V DC
Maximum input current for each string	15A		
Maximum input strings	6		
Maximum output switch current	50/63A		
Number of inverter MPPT	1		
Number of output strings	1		
Lightning protection			
SPD according to EN 61643-11 / IEC 61643-11	Type 2/Class II /T2		
Max. PV voltage (d.c.) (Ucpv)	500V DC	1000V DC	1500V DC
Nominal discharge current (8/20 μs) (In)	20kA		
Max. discharge current (8/20 μs) (Imax)	40kA		
Voltage protection level (Up)	≤2.5kV	≤4.0kV	≤4.5kV
Poles	2P	3P	
System			
Protection grade	IP65		
Output switch	DC MCB(optional)/DC isolation switch(standard)		
Waterproof Connectors	PG/MC4		
PV DC FUSE	Standard		
PV SPD	Standard		
Monitoring module	Optional		
Preventing diode	Optional		
Box material	PVC		
Installation method	Wall mounting type		
Operating Temperature	-25 °C ... +55 °C		
Elevation of Temperature	2km		
Permissible relative humidity	0-95%, no condensation		
Width*High*Depth	410*285*140mm		

GDS-PV6/1 DC COMBINER BOX

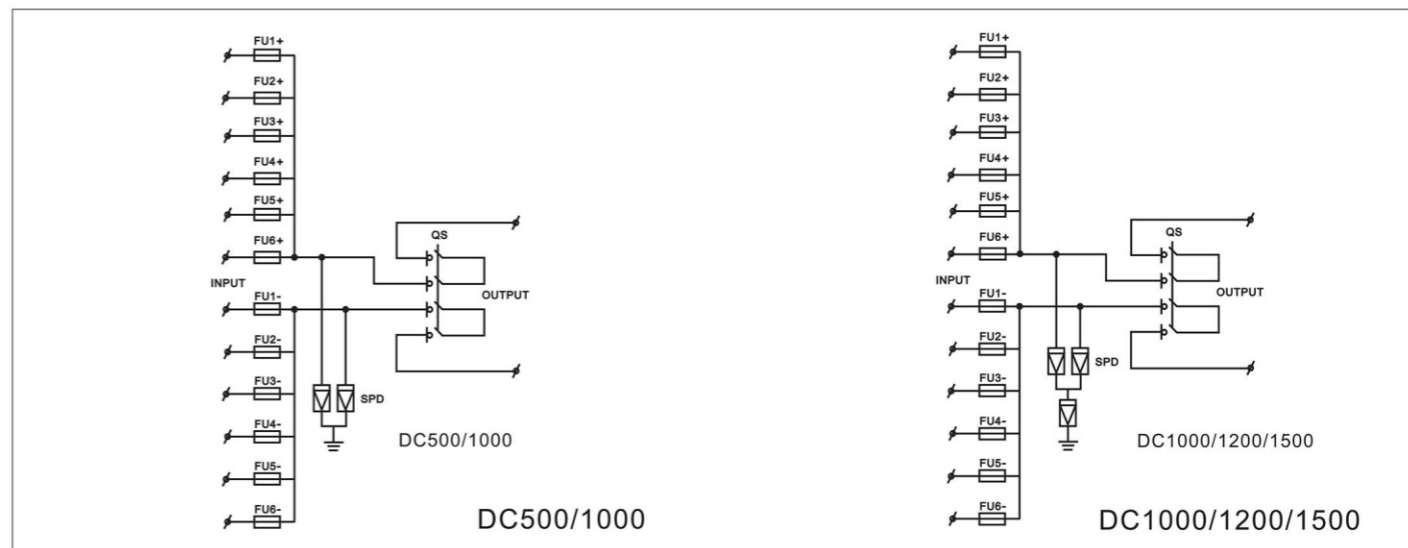
GDS-PV6/1 combiner box is suitable for inverter (MAX input voltage DC1000V/DC1200V/DC1500V, 6 PV input channel, 1 output channel, single MPPT inverter). Box body is made of PVC engineering materials, with test for fire retardant, temperature rise, anti impact, anti ultraviolet and other testing.



Configuration diagram

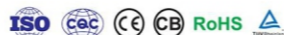


Schematic



GDS-PV4/2 DC COMBINER BOX

● GDHLX-PV4/2 combiner box is suitable for inverter (MAX input voltage DC500V/DC1000V/DC1200V /DC1500V, 4 PV input channel, 2 output channel, single MPPT inverter). Box body is made of PVC engineering materials, with test for fire retardant, temperature rise, anti impact, anti ultraviolet and other testing. IP65 protection grade.



- High reliability
With DC FUSE
With DC Surge Protection Device
With DC circuit breaker or DC load isolation switch.
- Strong adaptability
IP65 design, waterproof, anti dust and anti ultraviolet. Strict test for high And low temperature, used widely.
The simple installation, the simplified system wiring, the convenient wiring.
The box body is made of cold rolled steel and other metal materials.
- Flexible configuration
Used for single crystal silicon solar modules, polycrystalline silicon solar modules, thin film solar modules. Current rating of the photovoltaic fuse, circuit breaker, load isolation switch is modified.



Configuration diagram

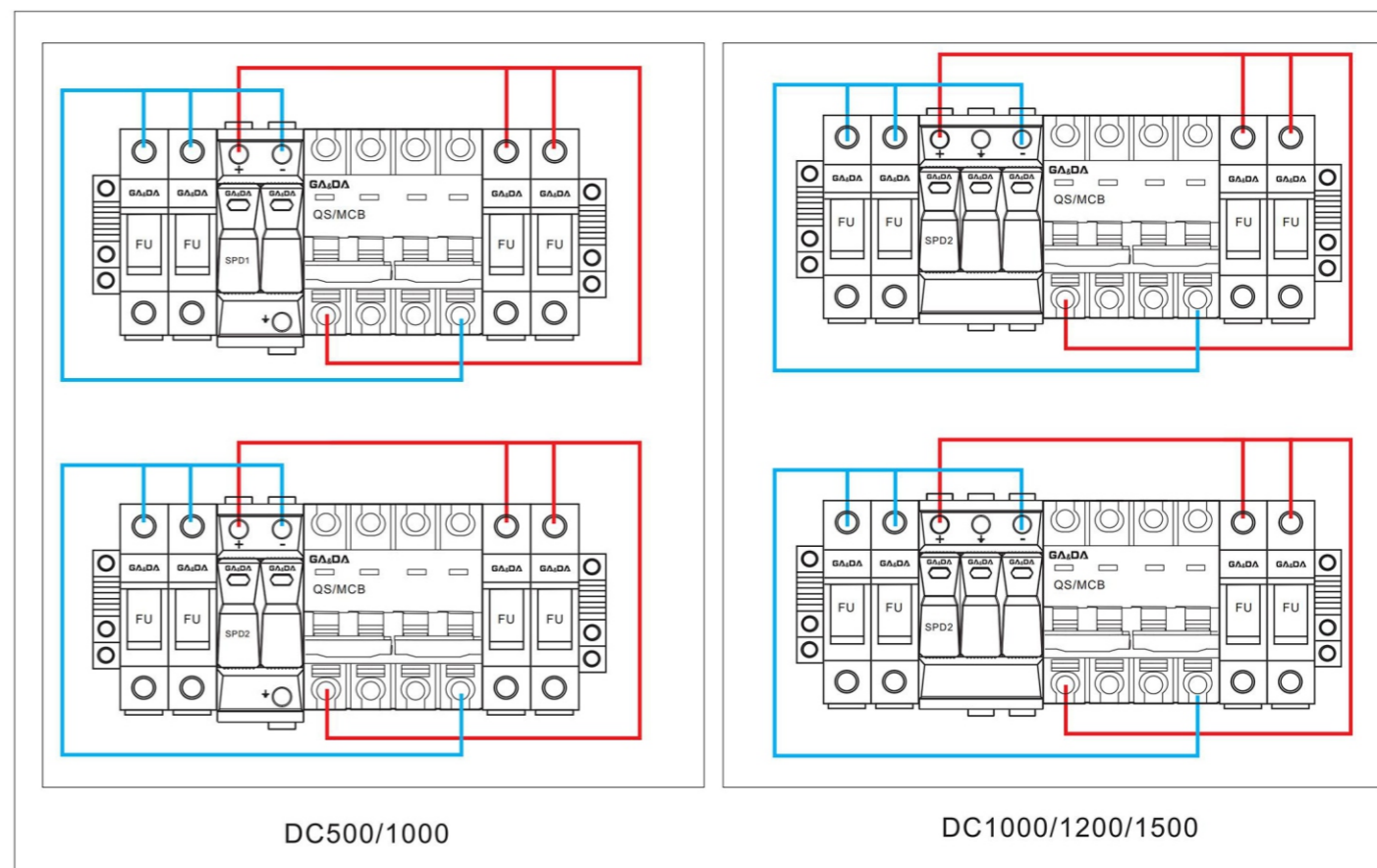
Type	GDS-PV4/2-DC500	GDS-PV4/2-DC1000	GDS-PV4/2-DC1500
Electric parameter			
Order Code	250016	250017	250018
System maximum dc voltage	500V DC	1000V DC	1500V DC
Maximum input current for each string	15A		
Maximum input strings	4		
Maximum output switch current	20/32A		
Number of inverter MPPT	2		
Number of output strings	2		
Lightning protection			
SPD according to EN 61643-11 / IEC 61643-11	Type 2/Class II /T2		
Max. PV voltage (d.c.) (Ucpv)	500V DC	1000V DC	1500V DC
Nominal discharge current (8/20 μs) (In)	20kA		
Max. discharge current (8/20 μs) (Imax)	40kA		
Voltage protection level (Up)	≤2.5kV	≤4.0kV	≤4.5kV
Poles	2P	3P	
System			
Protection grade	IP65		
Output switch	DC MCB(optional)/DC isolation switch(standard)		
Waterproof Connectors	PG/MC4		
PV DC FUSE	Standard		
PV SPD	Standard		
Monitoring module	Optional		
Preventing diode	Optional		
Box material	PVC		
Installation method	Wall mounting type		
Operating Temperature	-25 °C ... +55 °C		
Elevation of Temperature	2km		
Permissible relative humidity	0-95%,no condensation		
Width*High*Depth	410*285*140mm		

GDS-PV4/2 DC COMBINER BOX

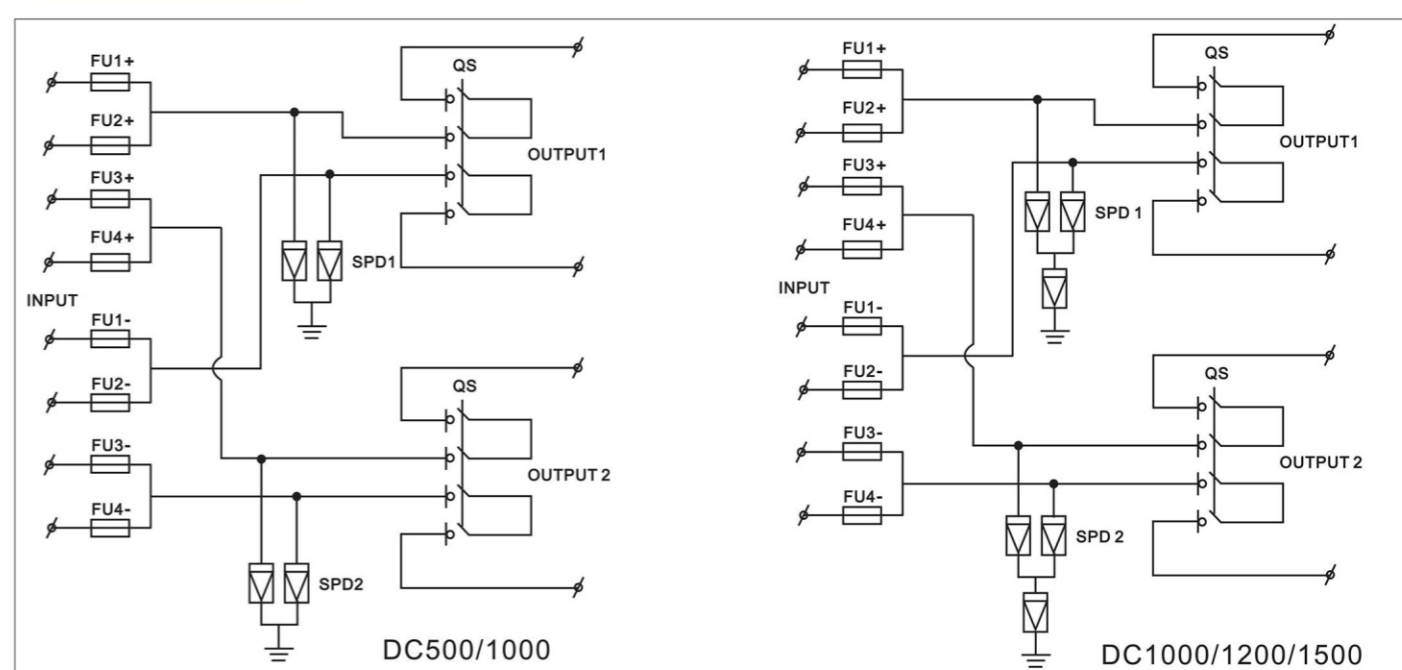
● GDHLX-PV4/2 combiner box is suitable for inverter (MAX input voltage DC500V/DC1000V/DC1200V /DC1500V, 4 PV input channel, 2 output channel, single MPPT inverter). Box body is made of PVC engineering materials, with test for fire retardant, temperature rise, anti impact, anti ultraviolet and other testing. IP65 protection grade.



Configuration diagram



Schematic



GDS-PV6/2 DC COMBINER BOX

GDS-PV6/2 combiner box is suitable for inverter (MAX input voltage DC1000V/DC1200V/DC1500V, 6 PV input channel, 2 output channel, single MPPT inverter). Box body is made of PVC engineering materials, with test for fire retardant, temperature rise, anti impact, anti ultraviolet and other testing.



- High reliability
With DC FUSE
With DC Surge Protection Device
With DC circuit breaker or DC load isolation switch.
- Strong adaptability
IP65 design, waterproof, anti dust and anti ultraviolet. Strict test for high And low temperature, used widely.
The simple installation, the simplified system wiring, the convenient wiring.
The box body is made of cold rolled steel and other metal materials.
- Flexible configuration
Used for single crystal silicon solar modules, polycrystalline silicon solar modules, thin film solar modules. Current rating of the photovoltaic fuse, circuit breaker, load isolation switch is modified.



Configuration diagram

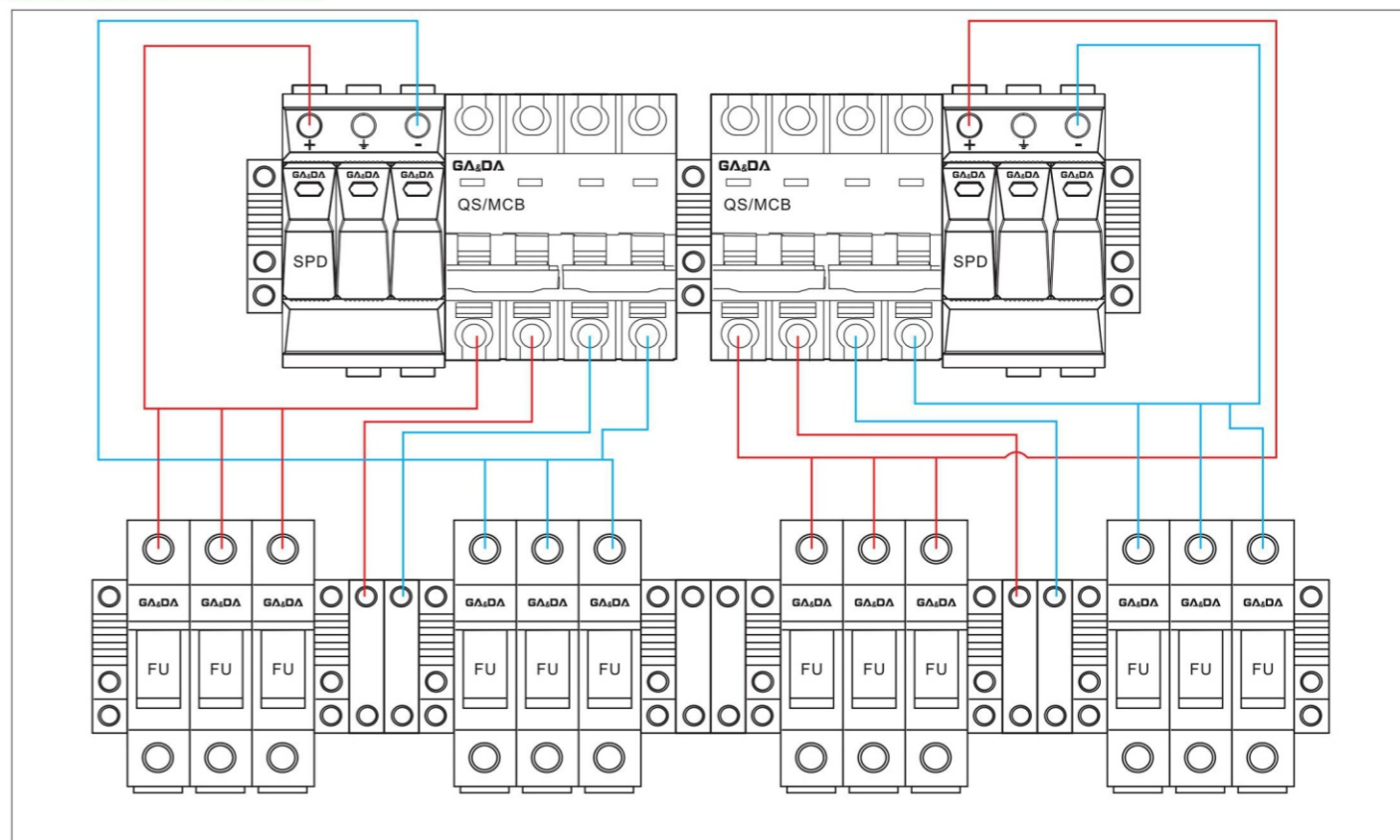
Type	GDS-PV6/2-DC500	GDS-PV6/2-DC1000	GDS-PV6/2-DC1500
Electric parameter			
Order Code	250019	250020	250021
System maximum dc voltage	500V DC	1000V DC	1500V DC
Maximum input current for each string	15A		
Maximum input strings	6		
Maximum output switch current	32/40A		
Number of inverter MPPT	2		
Number of output strings	2		
Lightning protection			
SPD according to EN 61643-11 / IEC 61643-11	Type 2/Class II /T2		
Max. PV voltage (d.c.) (Ucpv)	500V DC	1000V DC	1500V DC
Nominal discharge current (8/20 μs) (In)	20kA		
Max. discharge current (8/20 μs) (Imax)	40kA		
Voltage protection level (Up)	≤2.5kV	≤4.0kV	≤4.5kV
Poles	2P	3P	
System			
Protection grade	IP65		
Output switch	DC MCB(optional)/DC isolation switch(standard)		
Waterproof Connectors	PG/MC4		
PV DC FUSE	Standard		
PV SPD	Standard		
Monitoring module	Optional		
Preventing diode	Optional		
Box material	PVC		
Installation method	Wall mounting type		
Operating Temperature	-25 °C ... +55 °C		
Elevation of Temperature	2km		
Permissible relative humidity	0-95%, no condensation		
Width*High*Depth	325*420*140mm		

GDS-PV6/2 DC COMBINER BOX

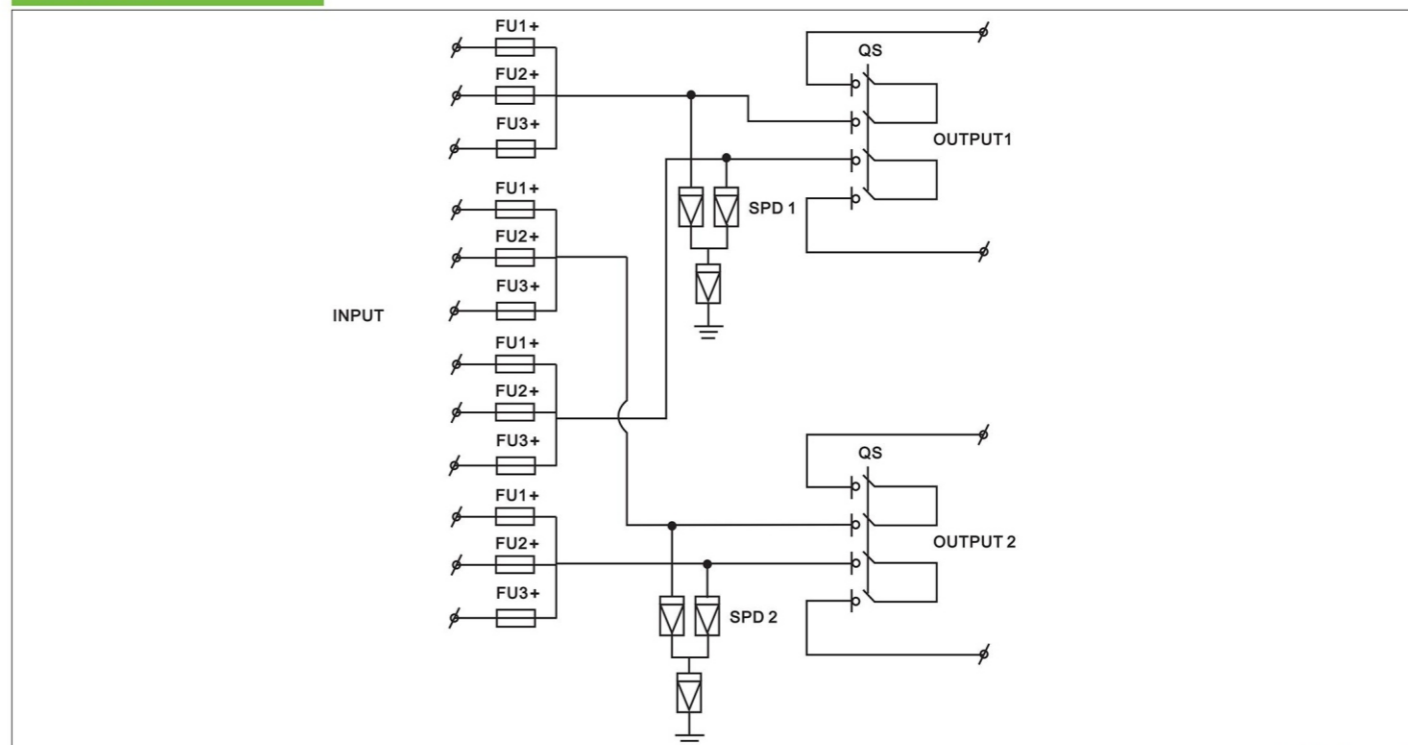
GDS-PV6/2 combiner box is suitable for inverter (MAX input voltage DC1000V/DC1200V/DC1500V, 6 PV input channel, 2 output channel, single MPPT inverter). Box body is made of PVC engineering materials, with test for fire retardant, temperature rise, anti impact, anti ultraviolet and other testing.



Configuration diagram

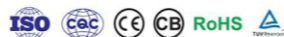


Schematic



GDT-PV6/1 DC COMBINER BOX

GDT-PV6/1 combiner box is suitable for inverter (MAX input voltage DC1000V/DC1200V/DC1500V, 6 PV input channel, 1 output channel, single MPPT inverter). Box body is made of PVC engineering materials, with test for fire retardant, temperature rise, anti impact, anti ultraviolet and other testing.



- High reliability
With DC FUSE
With DC Surge Protection Device
With DC circuit breaker or DC load isolation switch.
- Strong adaptability
IP65 design, waterproof, anti dust and anti ultraviolet. Strict test for high And low temperature, used widely.
The simple installation, the simplified system wiring, the convenient wiring.
The box body is made of cold rolled steel and other metal materials.
- Flexible configuration
Used for single crystal silicon solar modules, polycrystalline silicon solar modules, thin film solar modules. Current rating of the photovoltaic fuse, circuit breaker, load isolation switch is modified.



Configuration diagram

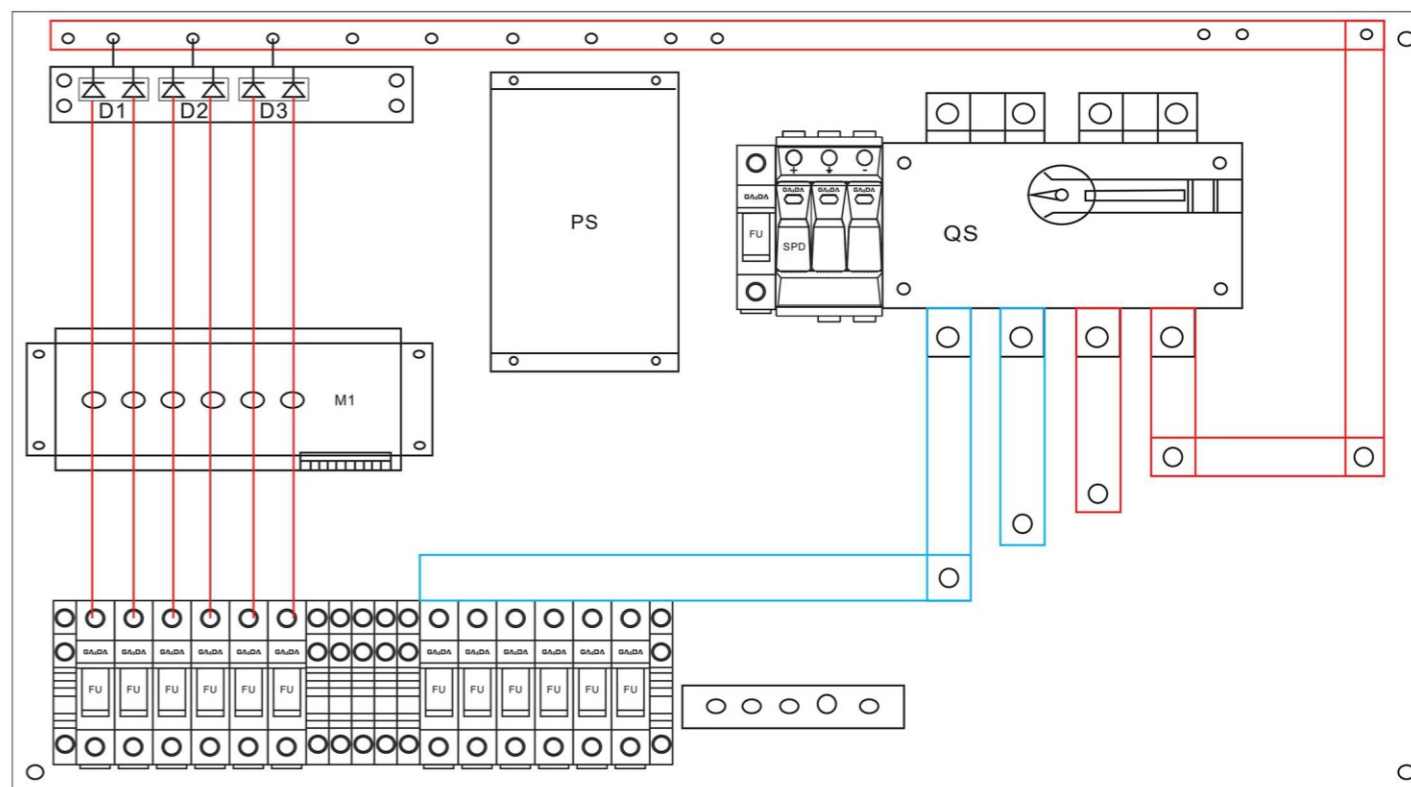
Type	GDT-PV6/1-DC1000	GDT-PV6/1-DC1200	GDT-PV6/1-DC1500
Order Code	250022	250024	250026
Type(With communication function)	GDT-PV6/1-DC1000-FM	GDT-PV6/1-DC1200-FM	GDT-PV6/1-DC1500-FM
Order Code	250023	250025	250027
Electric parameter			
System maximum dc voltage	1000V dc	1200V dc	1500V dc
Maximum input current for each string	15A		
Maximum input strings	6		
Maximum output switch current	63A		
Number of inverter MPPT	N		
Number of output strings	1		
Lightning protection			
SPD according to EN 61643-11 / IEC 61643-11	Type 2/Class II /T2		
Max. PV voltage (d.c.) (U _{cpv})	1000V dc	1200V dc	1500V dc
Nominal discharge current (8/20 μs) (I _n)	20kA		
Max. discharge current (8/20 μs) (I _{max})	40kA		
Voltage protection level (U _p)	≤4.0kV	≤4.0kV	≤4.5kV
Poles	3P		
System			
Protection grade	IP65		
Output switch	DC MCB(optional)/DC isolation switch(standard)		
Waterproof Connectors	PG/MC4		
PV DC FUSE	Standard		
PV SPD	Standard		
Monitoring module	Optional		
Preventing diode	Optional		
Box material	PVC		
Installation method	Wall mounting type		
Operating Temperature	-25 °C ... +55 °C		
Width*High*Depth	435*500*180/500*550*180mm		

GDT-PV6/1 DC COMBINER BOX

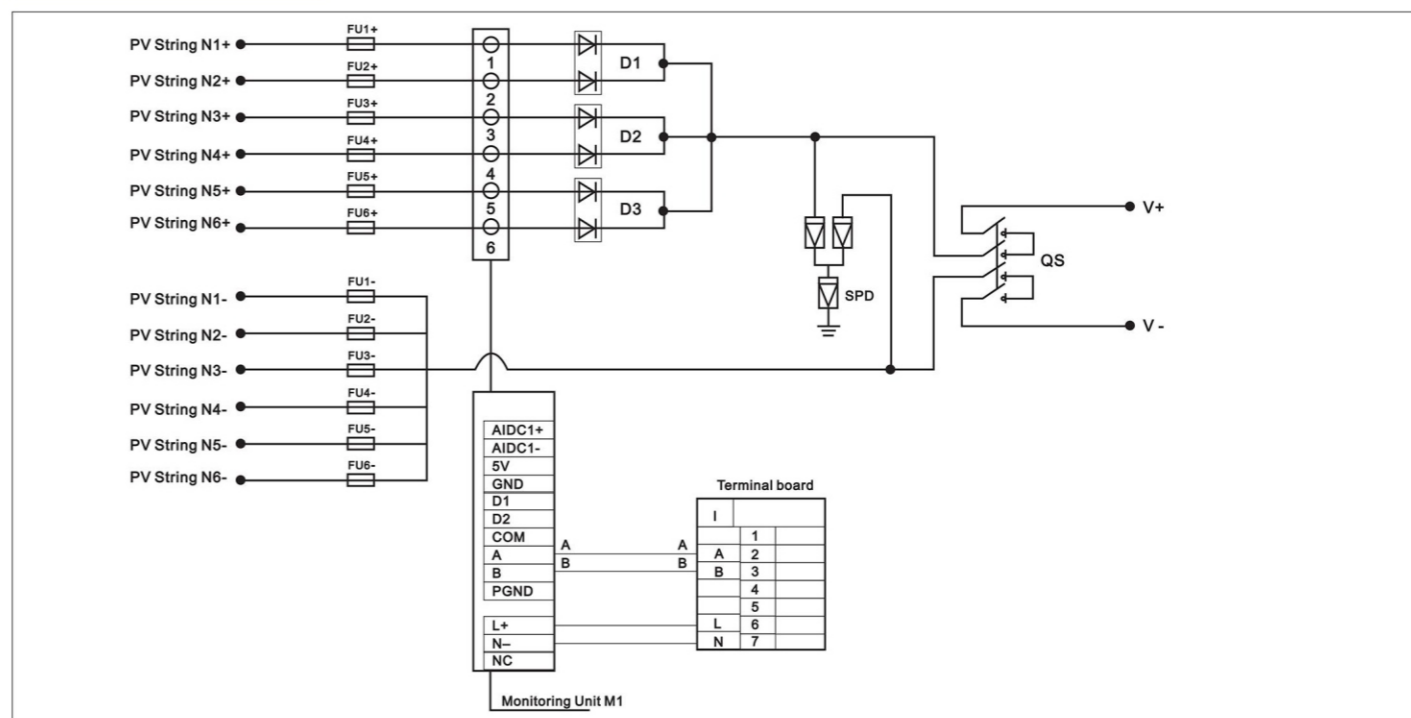
GDT-PV6/1 combiner box is suitable for inverter (MAX input voltage DC1000V/DC1200V/DC1500V, 6 PV input channel, 1 output channel, single MPPT inverter). Box body is made of PVC engineering materials, with test for fire retardant, temperature rise, anti impact, anti ultraviolet and other testing.



Configuration diagram



Schematic



GDT-PV6/1 DC COMBINER BOX

GDT-PV6/1 combiner box is suitable for inverter (MAX input voltage DC1000V/DC1200V/DC1500V, 6 PV input channel, 1 output channel, single MPPT inverter). Box body is made of PVC engineering materials, with test for fire retardant, temperature rise, anti impact, anti ultraviolet and other testing.



- High reliability
With DC FUSE
With DC Surge Protection Device
With DC circuit breaker or DC load isolation switch.
- Strong adaptability
IP65 design, waterproof, anti dust and anti ultraviolet. Strict test for high And low temperature, used widely.
The simple installation, the simplified system wiring, the convenient wiring.
The box body is made of cold rolled steel and other metal materials.
- Flexible configuration
Used for single crystal silicon solar modules, polycrystalline silicon solar modules, thin film solar modules. Current rating of the photovoltaic fuse, circuit breaker, load isolation switch is modified.



Configuration diagram

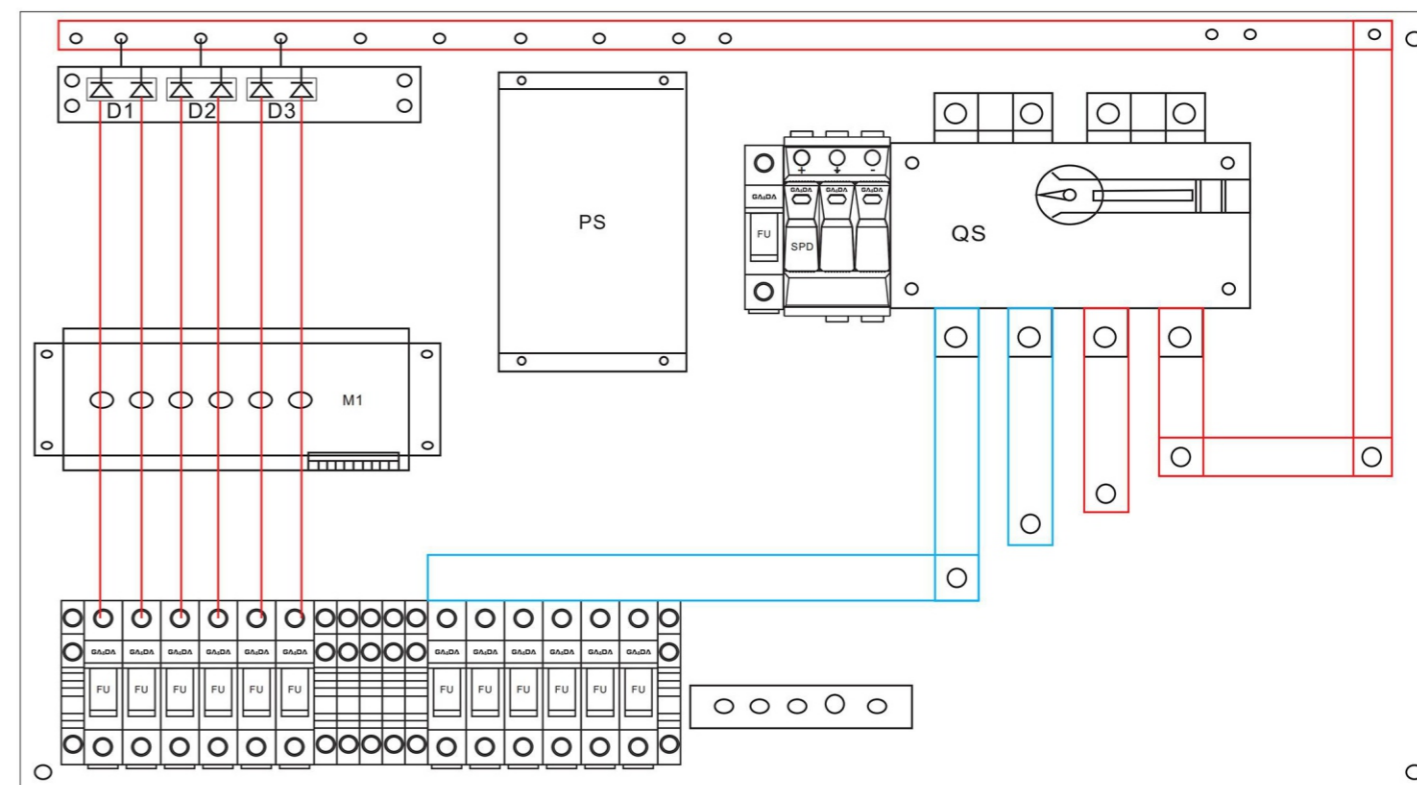
Type	GDT-PV6/1-DC1000	GDT-PV6/1-DC1200	GDT-PV6/1-DC1500
Order Code	250022	250024	250026
Type(With communication function)	GDT-PV6/1-DC1000-FM	GDT-PV6/1-DC1200-FM	GDT-PV6/1-DC1500-FM
Order Code	250023	250025	250027
Electric parameter			
System maximum dc voltage	1000V dc	1200V dc	1500V dc
Maximum input current for each string	15A		
Maximum input strings	6		
Maximum output switch current	63A		
Number of inverter MPPT	N		
Number of output strings	1		
Lightning protection			
SPD according to EN 61643-11 / IEC 61643-11	Type 2/Class II /T2		
Max. PV voltage (d.c.) (U _{cpv})	1000V dc	1200V dc	1500V dc
Nominal discharge current (8/20 μs) (I _n)	20kA		
Max. discharge current (8/20 μs) (I _{max})	40kA		
Voltage protection level (U _p)	≤4.0kV	≤4.0kV	≤4.5kV
Poles	3P		
System			
Protection grade	IP65		
Output switch	DC MCB(optional)/DC isolation switch(standard)		
Waterproof Connectors	PG/MC4		
PV DC FUSE	Standard		
PV SPD	Standard		
Monitoring module	Optional		
Preventing diode	Optional		
Box material	iron		
Installation method	Wall mounting type		
Operating Temperature	-25 °C ... +55 °C		
Width*High*Depth	435*500*180/500*550*180mm		

GDT-PV6/1 DC COMBINER BOX

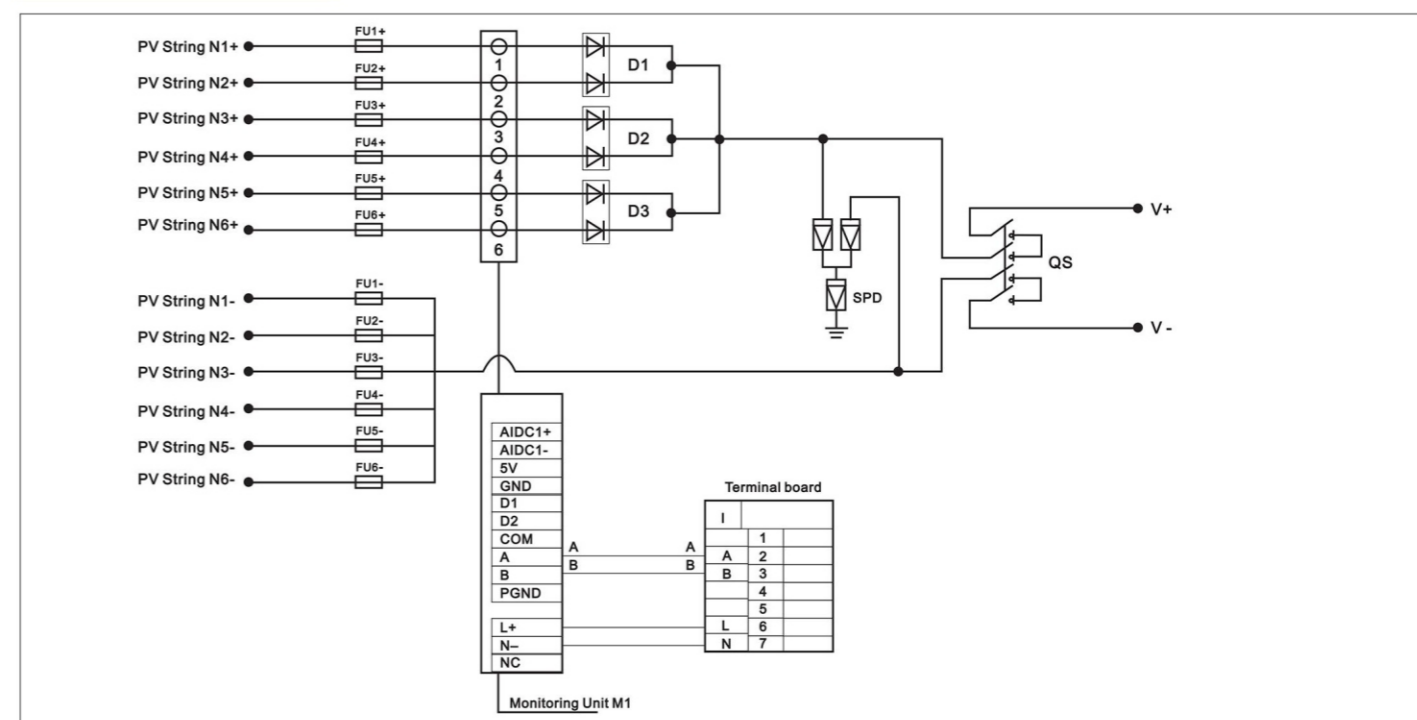
GDT-PV6/1 combiner box is suitable for inverter (MAX input voltage DC1000V/DC1200V/DC1500V, 6 PV input channel, 1 output channel, single MPPT inverter). Box body is made of PVC engineering materials, with test for fire retardant, temperature rise, anti impact, anti ultraviolet and other testing.



Configuration diagram

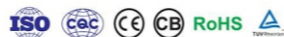


Schematic



GDT-PV8/1 DC COMBINER BOX

● GDT-PV8/1 combiner box is suitable for inverter (MAX input voltage DC1000V/DC1200V/DC1500V, 8 PV input channel, 1 output channel, single MPPT inverter). Box body is made of PVC engineering materials, with test for fire retardant, temperature rise, anti impact, anti ultraviolet and other testing.



- High reliability
With DC FUSE
With DC Surge Protection Device
With DC circuit breaker or DC load isolation switch.
- Strong adaptability
IP65 design, waterproof, anti dust and anti ultraviolet. Strict test for high And low temperature, used widely.
The simple installation, the simplified system wiring, the convenient wiring. The box body is made of cold rolled steel and other metal materials.
- Flexible configuration
Used for single crystal silicon solar modules, polycrystalline silicon solar modules, thin film solar modules. Current rating of the photovoltaic fuse, circuit breaker, load isolation switch is modified.



Configuration diagram

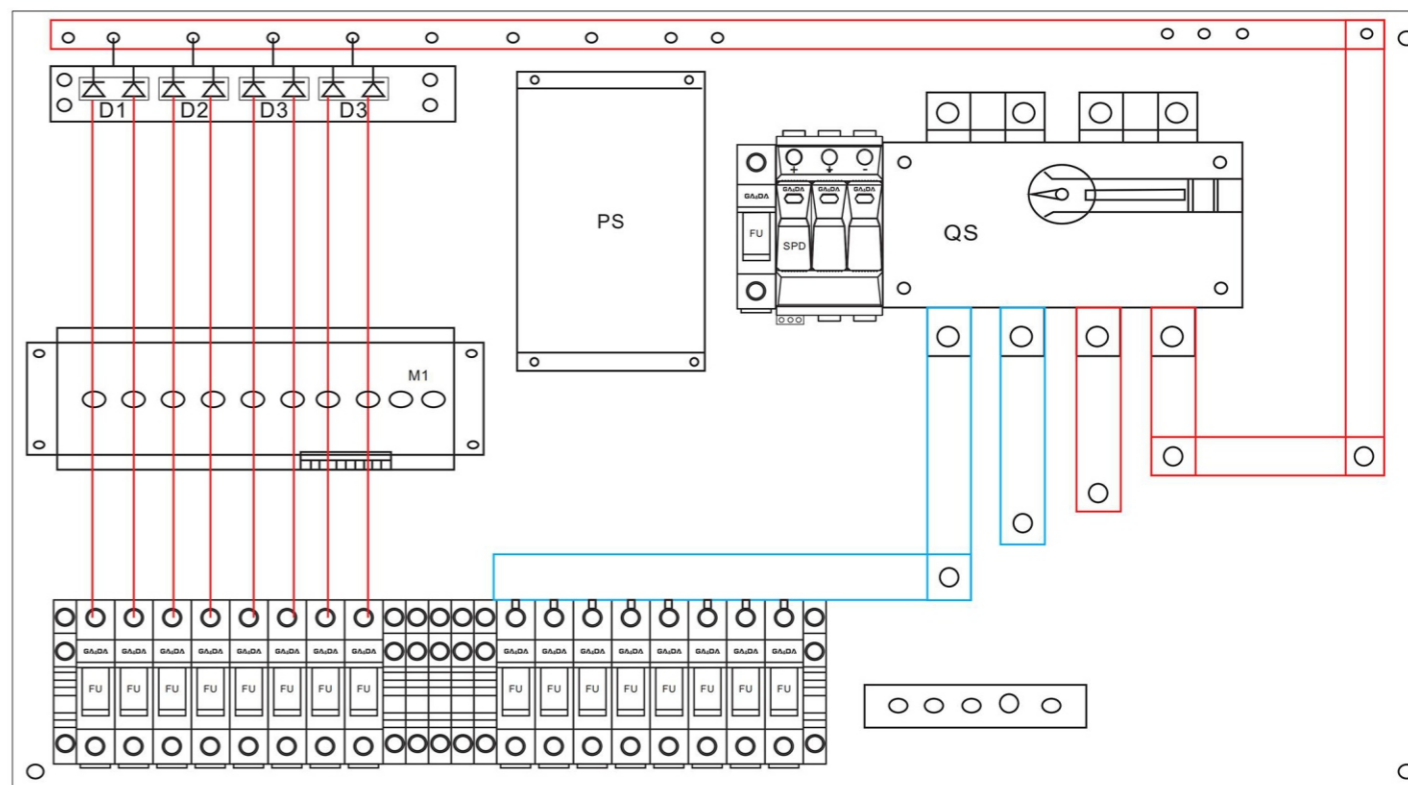
Type	GDT-PV8/1-DC1000	GDT-PV8/1-DC1200	GDT-PV8/1-DC1500
Order Code	250028	250030	250032
Type(With communication function)	GDT-PV8/1-DC1000-FM	GDT-PV8/1-DC1200-FM	GDT-PV8/1-DC1500-FM
Order Code	250029	250031	250033
Electric parameter			
System maximum dc voltage	1000V dc	1200V dc	1500V dc
Maximum input current for each string	15A		
Maximum input strings	8		
Maximum output switch current	125A		
Number of inverter MPPT	N		
Number of output strings	1		
Lightning protection			
SPD according to EN 61643-11 / IEC 61643-11	Type 2/Class II /T2		
Max. PV voltage (d.c.) (Ucpv)	1000V dc	1200V dc	1500V dc
Nominal discharge current (8/20 μs) (In)	20kA		
Max. discharge current (8/20 μs) (Imax)	40kA		
Voltage protection level (Up)	≤4.0kV	≤4.0kV	≤4.5kV
Poles	3P		
System			
Protection grade	IP65		
Output switch	DC MCB(optional)/DC isolation switch(standard)		
Waterproof Connectors	PG/MC4		
PV DC FUSE	Standard		
PV SPD	Standard		
Monitoring module	Optional		
Preventing diode	Optional		
Box material	iron		
Installation method	Wall mounting type		
Operating Temperature	-25 °C ... +55 °C		
Width*High*Depth	470*500*180/500*550*180mm		

GDT-PV8/1 DC COMBINER BOX

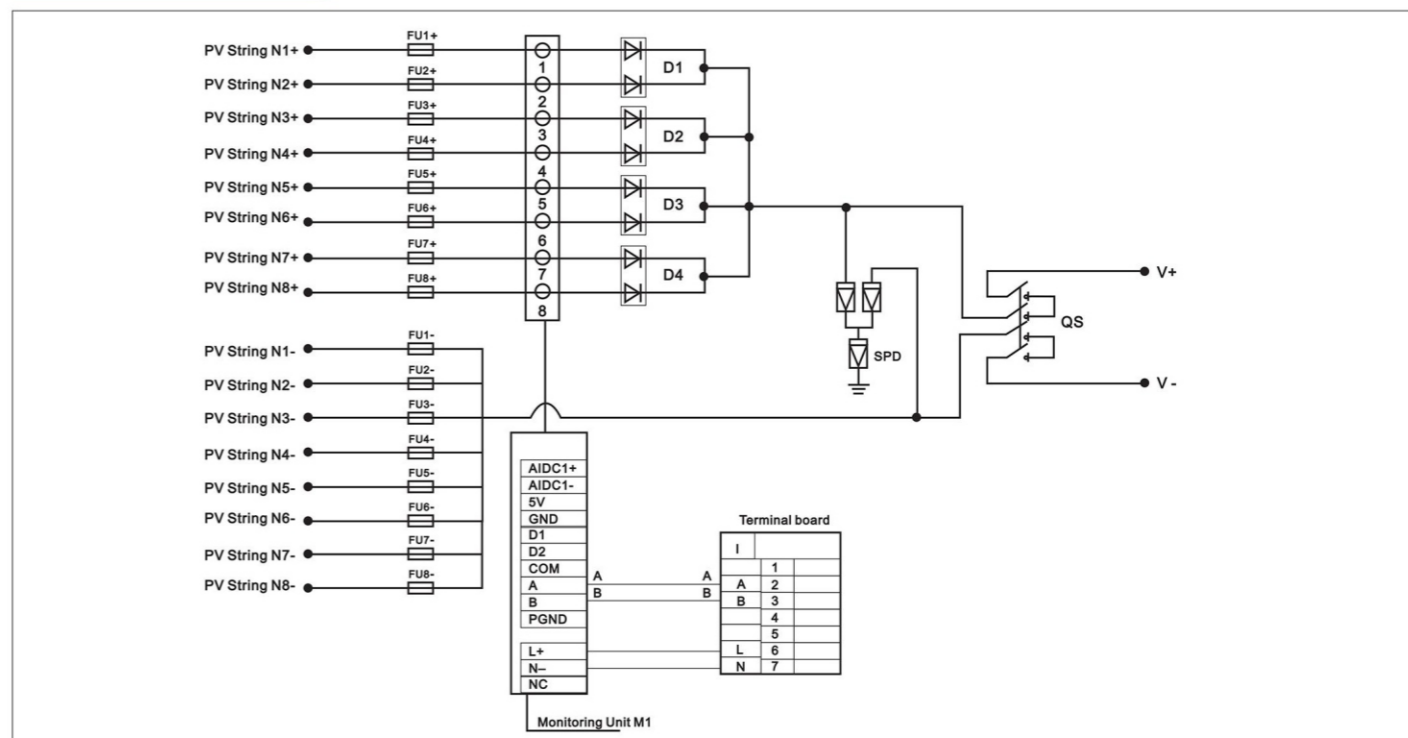
● GDT-PV8/1 combiner box is suitable for inverter (MAX input voltage DC1000V/DC1200V/DC1500V, 8 PV input channel, 1 output channel, single MPPT inverter). Box body is made of PVC engineering materials, with test for fire retardant, temperature rise, anti impact, anti ultraviolet and other testing.



Configuration diagram

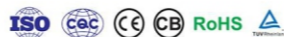


Schematic



GDT-PV12/1 DC COMBINER BOX

GDT-PV12/1 combiner box is suitable for inverter (MAX input voltage DC1000V/DC1200V/DC1500V, 12 PV input channel, 1 output channel, single MPPT inverter). Box body is made of PVC engineering materials, with test for fire retardant, temperature rise, anti impact, anti ultraviolet and other testing.



- High reliability
With DC FUSE
With DC Surge Protection Device
With DC circuit breaker or DC load isolation switch.
- Strong adaptability
IP65 design, waterproof, anti dust and anti ultraviolet. Strict test for high And low temperature, used widely.
The simple installation, the simplified system wiring, the convenient wiring.
The box body is made of cold rolled steel and other metal materials.
- Flexible configuration
Used for single crystal silicon solar modules, polycrystalline silicon solar modules, thin film solar modules. Current rating of the photovoltaic fuse, circuit breaker, load isolation switch is modified.

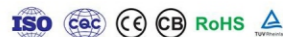


Configuration diagram

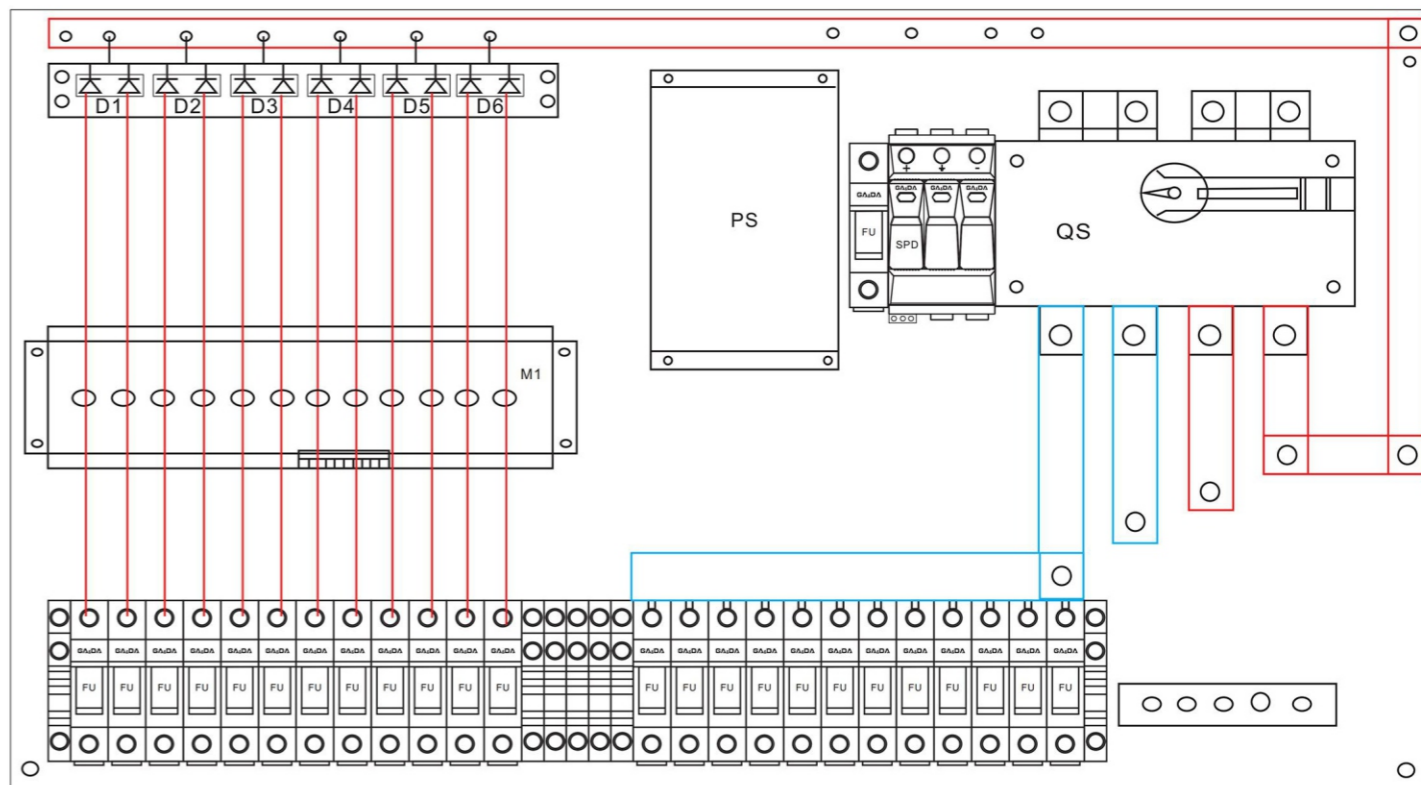
Type	GDT-PV12/1-DC1000	GDT-PV12/1-DC1200	GDT-PV12/1-DC1500
Order Code	250034	250036	250038
Type(With communication function)	GDT-PV12/1-DC1000-FM	GDT-PV12/1-DC1200-FM	GDT-PV12/1-DC1500-FM
Order Code	250035	250037	250039
Electric parameter			
System maximum dc voltage	1000V dc	1200V dc	1500V dc
Maximum input current for each string	15A		
Maximum input strings	12		
Maximum output switch current	125A		
Number of inverter MPPT	N		
Number of output strings	1		
Lightning protection			
SPD according to EN 61643-11 / IEC 61643-11	Type 2/Class II /T2		
Max. PV voltage (d.c.) (Ucpv)	1000V dc	1200V dc	1500V dc
Nominal discharge current (8/20 μs) (In)	20kA		
Max. discharge current (8/20 μs) (Imax)	40kA		
Voltage protection level (Up)	≤4.0kV	≤4.0kV	≤4.5kV
Poles	3P		
System			
Protection grade	IP65		
Output switch	DC MCB(optional)/DC isolation switch(standard)		
Waterproof Connectors	PG/MC4		
PV DC FUSE	Standard		
PV SPD	Standard		
Monitoring module	Optional		
Preventing diode	Optional		
Box material	iron		
Installation method	Wall mounting type		
Operating Temperature	-25 °C ... +55 °C		
Width*High*Depth	540*500*180/570*550*180mm		

GDT-PV12/1 DC COMBINER BOX

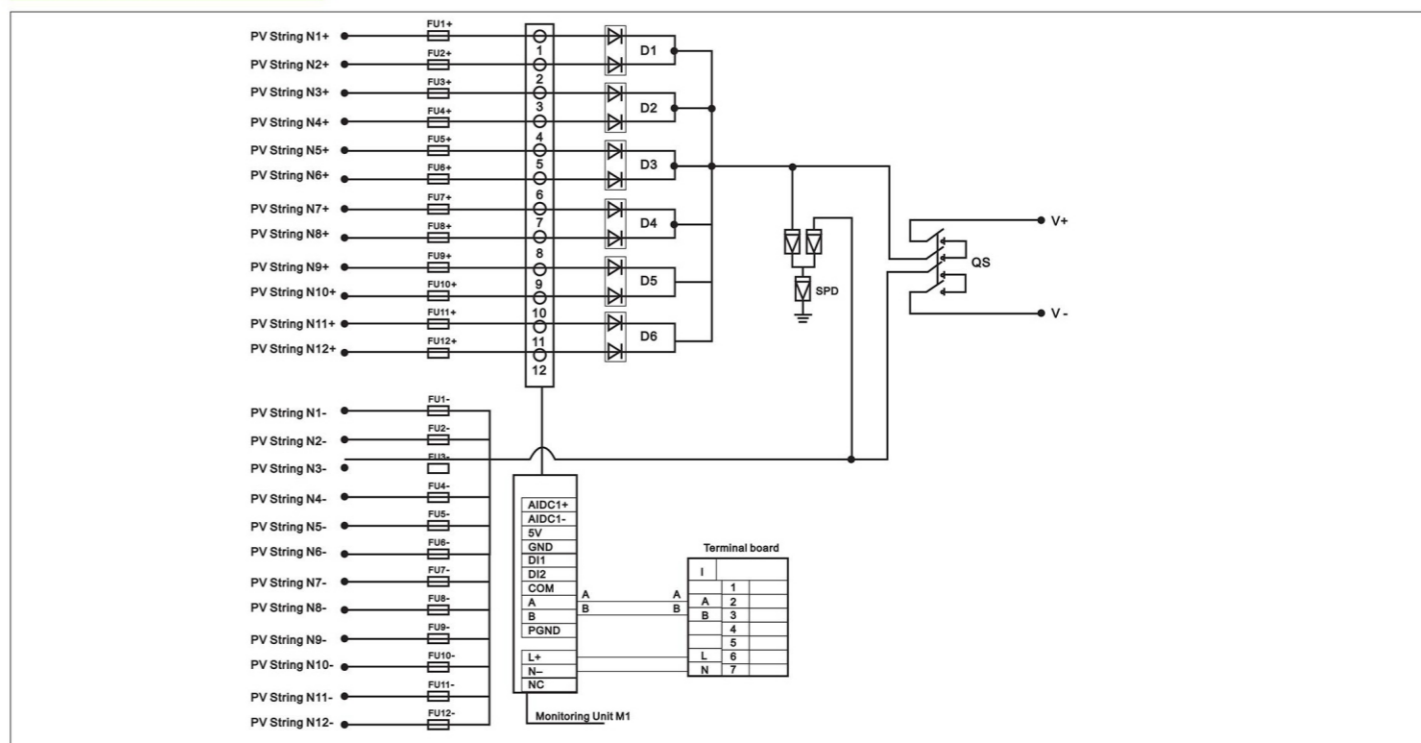
GDT-PV12/1 combiner box is suitable for inverter (MAX input voltage DC1000V/DC1200V/DC1500V, 12 PV input channel, 1 output channel, single MPPT inverter). Box body is made of PVC engineering materials, with test for fire retardant, temperature rise, anti impact, anti ultraviolet and other testing.



Configuration diagram

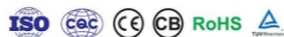


Schematic



GDT-PV16/1 DC COMBINER BOX

GDT-PV16/1 combiner box is suitable for inverter (MAX input voltage DC1000V/DC1200V/DC1500V, 16 PV input channel, 1 output channel, single MPPT inverter). Box body is made of PVC engineering materials, with test for fire retardant, temperature rise, anti impact, anti ultraviolet and other testing.



- High reliability
With DC FUSE
With DC Surge Protection Device
With DC circuit breaker or DC load isolation switch.
- Strong adaptability
IP65 design, waterproof, anti dust and anti ultraviolet. Strict test for high And low temperature, used widely.
The simple installation, the simplified system wiring, the convenient wiring.
The box body is made of cold rolled steel and other metal materials.
- Flexible configuration
Used for single crystal silicon solar modules, polycrystalline silicon solar modules, thin film solar modules. Current rating of the photovoltaic fuse, circuit breaker, load isolation switch is modified.



Configuration diagram

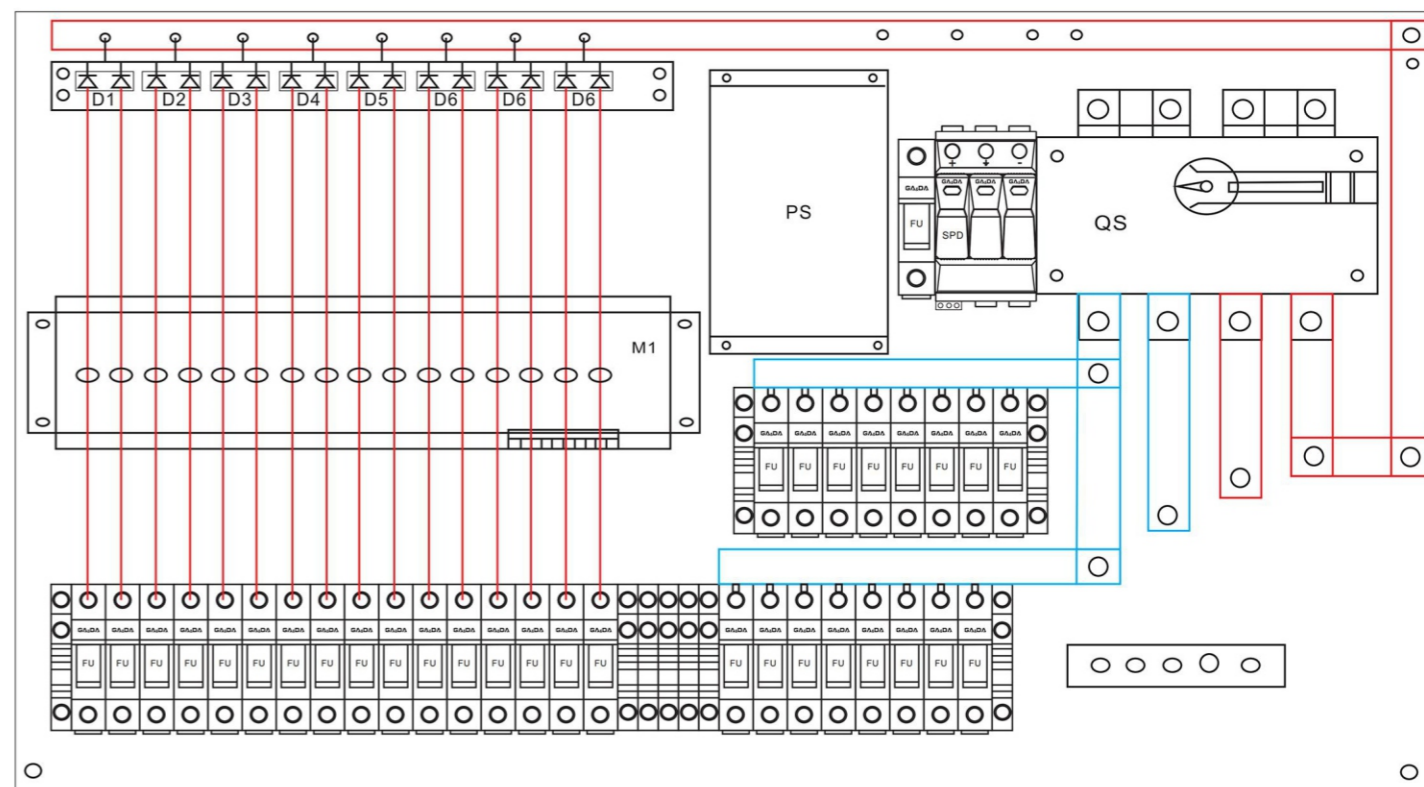
Type	GDT-PV16/1-DC1000	GDT-PV16/1-DC1200	GDT-PV16/1-DC1500
Order Code	250034	250036	250038
Type(With communication function)	GDT-PV16/1-DC1000-FM	GDT-PV16/1-DC1200-FM	GDT-PV16/1-DC1500-FM
Order Code	250035	250037	250039
Electric parameter			
System maximum dc voltage	1000V dc	1200V dc	1500V dc
Maximum input current for each string	15A		
Maximum input strings	16		
Maximum output switch current	200A		
Number of inverter MPPT	N		
Number of output strings	1		
Lightning protection			
SPD according to EN 61643-11 / IEC 61643-11	Type 2/Class II /T2		
Max. PV voltage (d.c.) (U _{cpv})	1000V dc	1200V dc	1500V dc
Nominal discharge current (8/20 μs) (I _n)	20kA		
Max. discharge current (8/20 μs) (I _{max})	40kA		
Voltage protection level (U _p)	≤4.0kV	≤4.0kV	≤4.5kV
Poles	3P		
System			
Protection grade	IP65		
Output switch	DC MCB(optional)/DC isolation switch(standard)		
Waterproof Connectors	PG/MC4		
PV DC FUSE	Standard		
PV SPD	Standard		
Monitoring module	Optional		
Preventing diode	Optional		
Box material	iron		
Installation method	Wall mounting type		
Operating Temperature	-25 °C ... +55 °C		
Width*High*Depth	610*500*180/640*550*180mm		

GDT-PV16/1 DC COMBINER BOX

GDT-PV16/1 combiner box is suitable for inverter (MAX input voltage DC1000V/DC1200V/DC1500V, 16 PV input channel, 1 output channel, single MPPT inverter). Box body is made of PVC engineering materials, with test for fire retardant, temperature rise, anti impact, anti ultraviolet and other testing.



Configuration diagram



Schematic

